

# SPARE PARTS LIST

MODEL NO. MT230

| ITEM | PART NO.   | DESCRIPTION                   | QTY | NOTE |
|------|------------|-------------------------------|-----|------|
| 001  | JM23000001 | GRIP                          | 1   |      |
| 002  | JM23000002 | HANDLE BRACKET                | 1   |      |
| 003  | JM23000003 | SPRING WASHER8                | 2   |      |
| 004  | JM23000004 | HEX. SOCKET HEAD BOLT M8 X 20 | 2   |      |
| 005  | JM23000005 | KNOCK SPRING                  | 1   |      |
| 006  | JM23000006 | LOCK KNOB FOR EXT.WINGS       | 2   |      |
| 007  | JM23000007 | MITER ANGLE LABEL             | 1   |      |
| 008  | JM23000008 | RIVET                         | 2   |      |
| 009  | JM23000009 | BASE COMP<br>INC. 7,8,10      | 1   |      |
| 010  | 810965-6   | CAUTION LABEL                 | 1   |      |
| 011  | JM23000011 | BASE SUPPORTER                | 1   |      |
| 012  | JM23000012 | SCREW                         | 1   |      |
| 013  | JM23000013 | FLAT WASHER10                 | 2   |      |
| 014  | JM23000014 | SADDLE SHAPE WASHER           | 1   |      |
| 015  | JM23000015 | ANTI-LOOSE NUTM10             | 1   |      |
| 016  | JM23000016 | SLIDE PLATE                   | 2   |      |
| 017  | JM23000017 | MITER ANGLE POINTER           | 1   |      |
| 018  | JM23000018 | COUNTERSUNK HEAD SCREW M4X10  | 5   |      |
| 019  | JM23000019 | PIVOT                         | 1   |      |
| 020  | JM23000020 | KERF BOARD                    | 1   |      |
| 021  | JM23000021 | TURN BASE COMP.               | 1   |      |
| 022  | JM23000022 | PROTECTION NET                | 1   |      |
| 023  | JM23000023 | GUIDE RULE                    | 1   |      |
| 024  | JM23000024 | HEX.BOLT M8X30                | 4   |      |
| 025  | JM23000003 | SPRING WASHER8                | 4   |      |
| 026  | JM23000026 | FLAT WASHER8                  | 4   |      |
| 027  | JM23000027 | HEX. BOLT M8 X 20             | 2   |      |
| 028  | JM23000028 | HEX. NUT M8                   | 2   |      |
| 029  | JM23000029 | BEVEL POINTER                 | 1   |      |
| 030  | JM23000030 | FLAT WASHER5                  | 1   |      |
| 031  | JM23000031 | SPRING WASHER5                | 1   |      |
| 032  | JM23000032 | PAN HEAD SCREW M5 X 10        | 1   |      |
| 033  | JM23000033 | HEX. BOLT M8X16               | 1   |      |
| 034  | JM23000028 | HEX. NUT M8                   | 1   |      |
| 035  | JM23000034 | RIVET                         | 2   |      |
| 036  | JM23000035 | SCALE LABEL                   | 1   |      |
| 037  | JM23000036 | ARM COMPLETE<br>INC. 35,36    | 1   |      |
| 038  | JM23000037 | SHAFT                         | 1   |      |
| 039  | JM23000038 | LINK SUPPORT PLATE            | 1   |      |
| 040  | JM23000039 | PAN HEAD SCREW M6 X 16        | 3   |      |
| 041  | JM23000040 | SPRING WASHER6                | 3   |      |
| 042  | JM23000041 | FLAT WASHER6                  | 3   |      |
| 043  | JM23000042 | CLIP                          | 1   |      |
| 044  | JM23000030 | FLAT WASHER5                  | 1   |      |
| 045  | JM23000031 | SPRING WASHER5                | 1   |      |
| 046  | JM23000032 | PAN HEAD SCREW M5 X 10        | 1   |      |
| 047  | JM23000043 | KNOB                          | 1   |      |
| 048  | JM23000013 | FLAT WASHER10                 | 1   |      |
| 049  | JM23000044 | ANTI-LOOSE NUTM12             | 1   |      |
| 050  | JM23000045 | FLAT WASHER12                 | 1   |      |
| 051  | JM23000046 | LOCK PIN CAP                  | 1   |      |
| 052  | JM23000047 | O RING                        | 1   |      |
| 053  | JM23000048 | PIN                           | 1   |      |
| 054  | JM23000049 | LIMIT PIN                     | 1   |      |

# SPARE PARTS LIST

MODEL NO. MT230

| ITEM | PART NO.   | DESCRIPTION                   | QTY | NOTE |
|------|------------|-------------------------------|-----|------|
| 055  | JM23000050 | TORSIONAL SPRING              | 1   |      |
| 056  | JM23000051 | RING                          | 1   |      |
| 057  | JM23000052 | HEX. SOCKET HEAD BOLT M6 X 20 | 4   |      |
| 058  | JM23000040 | SPRING WASHER6                | 4   |      |
| 059  | JM23000041 | FLAT WASHER6                  | 4   |      |
| 060  | JM23000030 | FLAT WASHER5                  | 2   |      |
| 061  | JM23000031 | SPRING WASHER5                | 2   |      |
| 062  | JM23000032 | PAN HEAD SCREW M5 X 10        | 2   |      |
| 063  | JM23000053 | PLATE                         | 1   |      |
| 064  | JM23000054 | BLADE LOCK BOLT               | 1   |      |
| 065  | JM23000055 | STEPPED BOLT M5               | 1   |      |
| 066  | JM23000056 | BUSH                          | 1   |      |
| 067  | JM23000057 | STEPPED BOLT M6               | 1   |      |
| 068  | JM23000058 | LINK COMP.                    | 1   |      |
| 069  | JM23000178 | DUST NOZZLE                   | 1   |      |
| 070  | JM23000060 | PAN HEAD SCREW M4             | 2   |      |
| 071  | JM23000179 | BLADE CASE COMP<br>INC. 72-74 | 1   |      |
| 072  | JM23080001 | MAKTEC LABEL                  | 1   |      |
| 073  | 817667-5   | CAUTION LABEL                 | 1   |      |
| 074  | 810968-0   | CAUTION LABEL                 | 1   |      |
| 075  | JM23000063 | LIMIT RING                    | 1   |      |
| 076  | JM23000064 | SCREW                         | 1   |      |
| 077  | JM23000065 | FLANGE                        | 2   |      |
| 078  | JM23000066 | LOCK SPRING                   | 1   |      |
| 079  | JM23000067 | SHAFT LOCK                    | 1   |      |
| 080  | JM23000068 | COVER                         | 1   |      |
| 081  | JM23000030 | FLAT WASHER5                  | 2   |      |
| 082  | JM23000031 | SPRING WASHER5                | 2   |      |
| 083  | JM23000069 | PAN HEAD SCREW M5 X 12        | 2   |      |
| 084  | JM23000070 | FLAT WASHER16                 | 1   |      |
| 085  | JM23000071 | ANTI-LOOSE NUT16              | 1   |      |
| 086  | JM23000072 | SAFETY COVER COMP.            | 1   |      |
| 087  | JM23000073 | TORSION SPRING                | 1   |      |
| 088  | JM23000074 | SQUARE NECK BOLTM6X10         | 1   |      |
| 089  | JM23000075 | WHEEL                         | 1   |      |
| 090  | JM23000076 | E RING                        | 1   |      |
| 091  | JM23000077 | STEPPED BOLT M6               | 1   |      |
| 092  | JM23000078 | RUBBER SLEEVE                 | 1   |      |
| 093  | JM23000079 | FIX PLATE                     | 1   |      |
| 094  | JM23000080 | ANTI-LOOSE NUTM6              | 1   |      |
| 095  | JM23000081 | STEPPED BOLT M5               | 1   |      |
| 097  | 810964-8   | CAUTION LABEL                 | 1   |      |
| 098  | JM23080042 | NAME PLATE                    | 1   |      |
| 099  | JM23000084 | SPINDLE                       | 1   |      |
| 100  | JM23000085 | KEY5X10                       | 1   |      |
| 101  | JM23000086 | BALL BEARING 6304-RZ          | 1   |      |
| 102  | JM23000087 | SPACE RING 20                 | 1   |      |
| 103  | JM23000088 | HELICAL GEAR                  | 1   |      |
| 104  | JM23000089 | SPACE RING 16                 | 1   |      |
| 105  | JM23000090 | PAN HEAD SCREW M6             | 1   |      |
| 106  | JM23000091 | GEAR HOUSING COMP.            | 1   |      |
| 107  | JM23000092 | PAN HEAD SCREW M5 X 20        | 1   |      |
| 108  | JM23000093 | LIMIT PLATE                   | 1   |      |
| 109  | JM23000094 | LIMIT PAD                     | 1   |      |
| 110  | JM23000095 | ADJUST PAD                    | 1   |      |

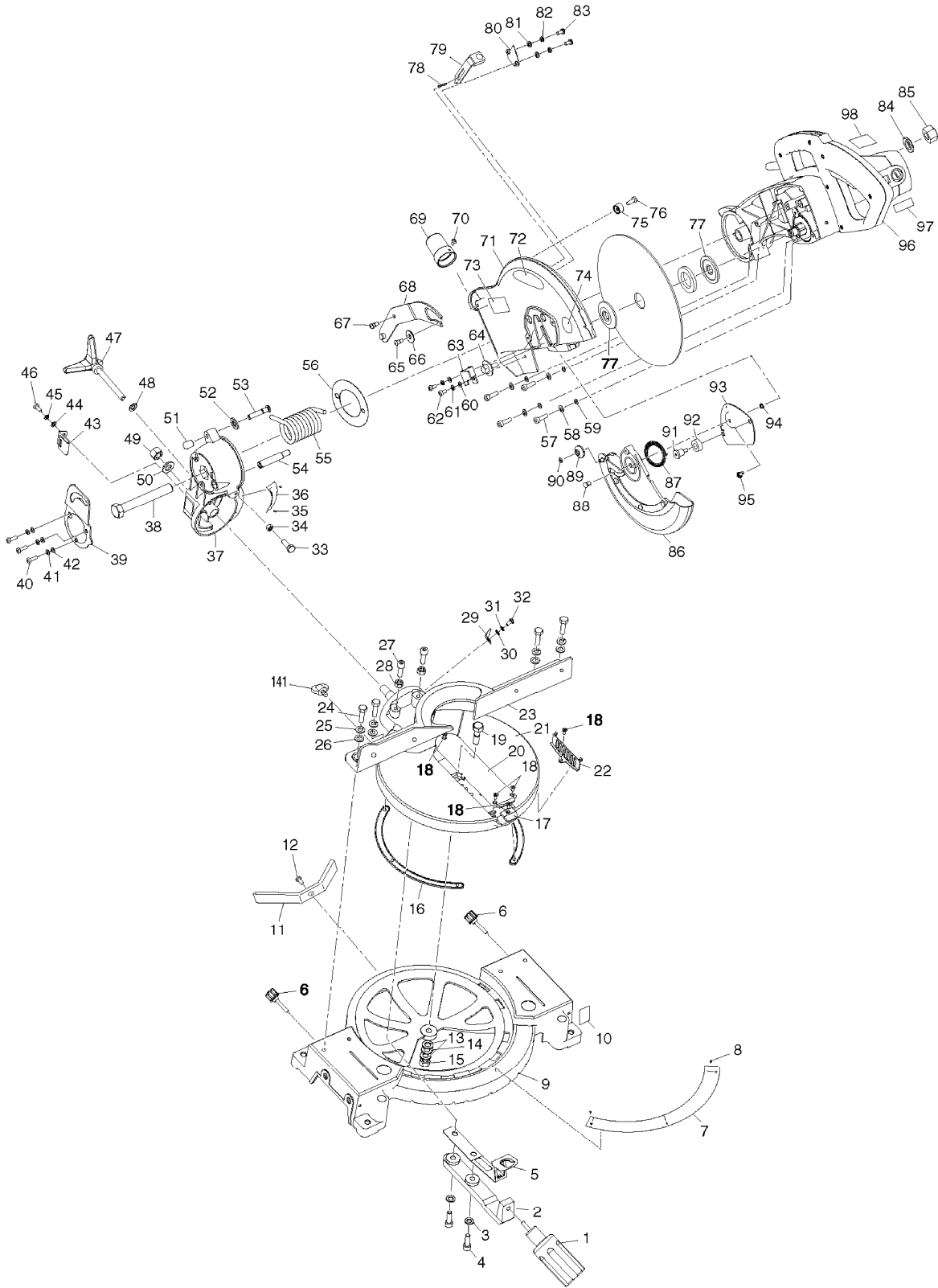
# SPARE PARTS LIST

MODEL NO. MT230

| ITEM | PART NO.   | DESCRIPTION                  | QTY | NOTE |
|------|------------|------------------------------|-----|------|
| 111  | JM23000096 | HEX.NUTM4                    | 6   |      |
| 112  | JM23000097 | HANDLE COVER                 | 1   |      |
| 113  | JM23000098 | FAN GUIDE                    | 1   |      |
| 114  | JM23000099 | BALL BEARING 6201Z           | 1   |      |
| 115  | JM23000100 | ARMATURE ASS'Y (230V)        | 1   |      |
|      |            | INC. 114,117                 |     |      |
| 116  | JM23000101 | SELF TAPING SCREWST4.8X70    | 2   |      |
| 117  | JM23000102 | BALL BEARING 6001Z           | 1   |      |
| 118  | JM23000103 | RUBBER RING                  | 1   |      |
| 119  | JM23000104 | FIELD ASS'Y (230V)           | 1   |      |
|      |            | INC. 120                     |     |      |
| 120  | JM23000105 | RECEPTACLE                   | 2   |      |
| 121  | JM23000106 | SELF TAPING SCREWST4.2X12    | 2   |      |
| 122  | JM23000107 | STRAIN RELIEF                | 1   |      |
| 123  | JM23000152 | POWER SUPPLY CORD            | 1   |      |
| 124  | JM23000109 | CORD GUARD                   | 1   |      |
| 125  | JM23000110 | NOISE SUPPRESSOR             | 1   |      |
| 126  | JM23000111 | CLAMP                        | 1   |      |
| 127  | JM23000112 | SWITCHCB21-B                 | 1   |      |
| 128  | JM23000113 | SELF TAPING SCREWST 3X8      | 2   |      |
| 129  | JM23000114 | SWITCH LEVER                 | 1   |      |
| 130  | JM23000115 | SELF TAPING SCREWST4.2X12    | 2   |      |
| 131  | JM23000116 | TERMINAL BASE                | 1   |      |
| 132  | JM23000117 | MOTOR HOUSING COMP           | 1   |      |
|      |            | INC. 97,136,137              |     |      |
| 133  | JM23000118 | PAN HEAD SCREW M4X30         | 6   |      |
| 134  | JM23000119 | SELFTAPPING SCREW            | 1   |      |
| 135  | JM23000120 | BRUSH HOLDER CAP             | 2   |      |
| 136  | JM23000121 | BRUSH HOLDER                 | 2   |      |
| 137  | JM23000122 | HEX. SOCKET HEAD BOLT M5 X 8 | 2   |      |
| 138  | JM23000123 | CARBON BRUSH                 | 1   |      |
| 139  | JM23000124 | SELF TAPING SCREWST5.2X12    | 2   |      |
| 140  | JM23000125 | MOTOR REAR COVER             | 1   |      |
| 141  | JM23000126 | WING BOLT                    | 1   |      |
| A01  | JM23000127 | HOLDER SET                   | 2   |      |
| A02  | JM23000128 | SET PLATE                    | 2   |      |
| A03  | JM23000129 | WING BOLT                    | 1   |      |
| A04  | JM23000130 | WRENCH                       | 1   |      |
| A05  | JM23000131 | WISE ASS'Y                   | 1   |      |
| A06  | 122523-9   | DUST BAG ASS'Y               | 1   |      |
| A07  | 762001-3   | TRIANGULAR RULE              | 1   |      |

# SERVICE DRAWING

MODEL NO. MT230



# SERVICE DRAWING

MODEL NO. MT230

96

