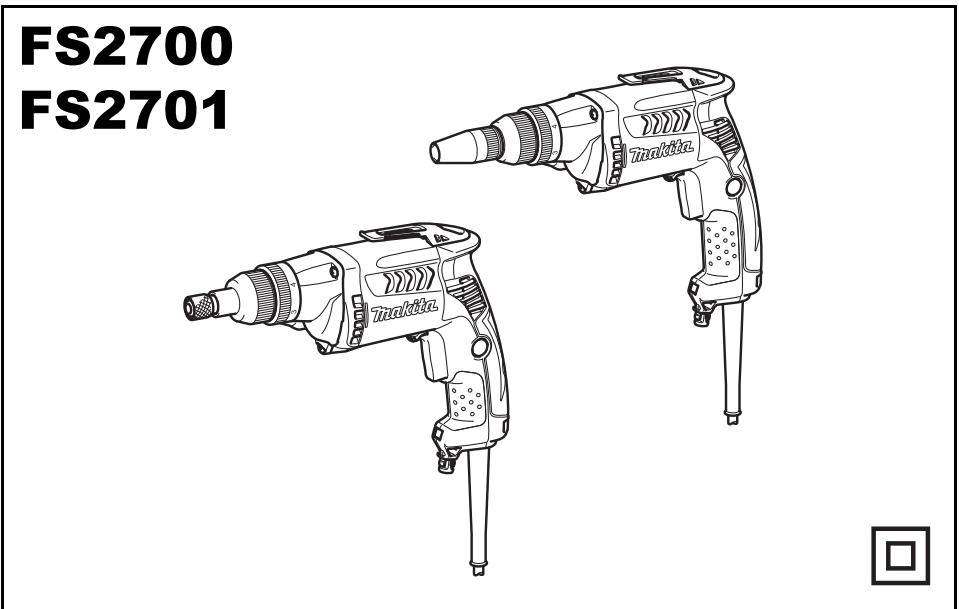
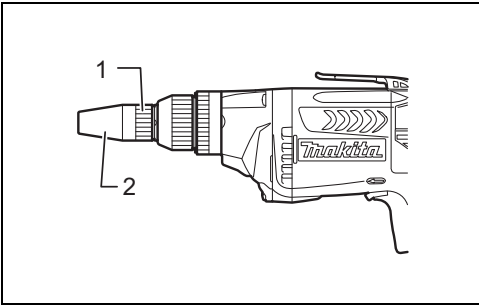




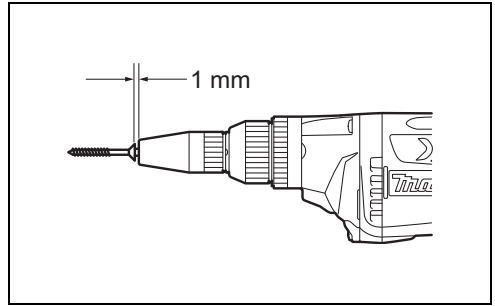
GB Screwdriver	Instruction manual
ZHCN 电动螺丝刀	使用说明书
ID Obeng	Petunjuk penggunaan
VI Máy bắt vít	Tài liệu hướng dẫn
TH ไขควง	คู่มือการใช้งาน





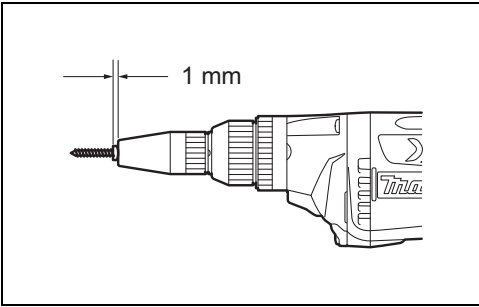
1

010117



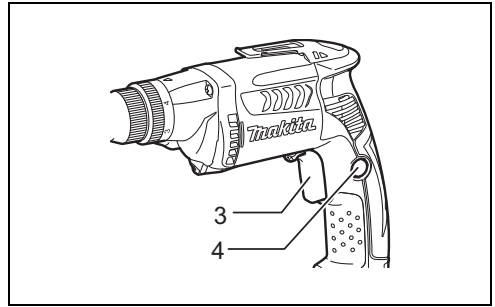
2

010118



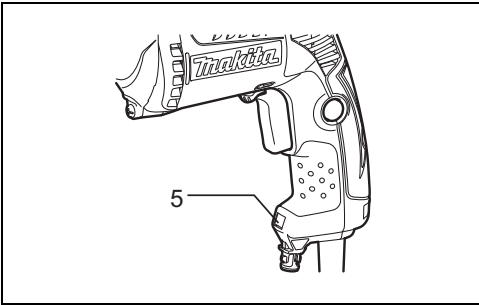
3

010119



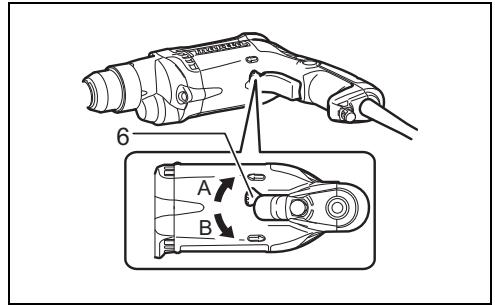
4

010121



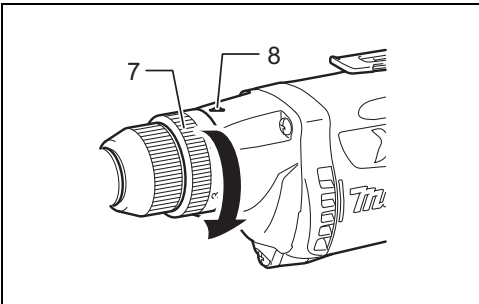
5

009967



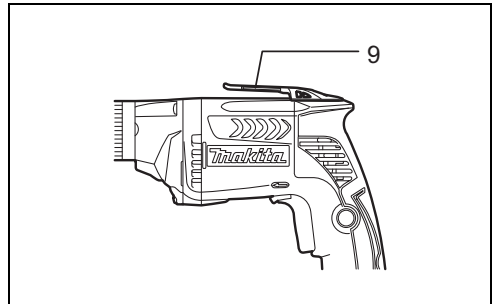
6

010122



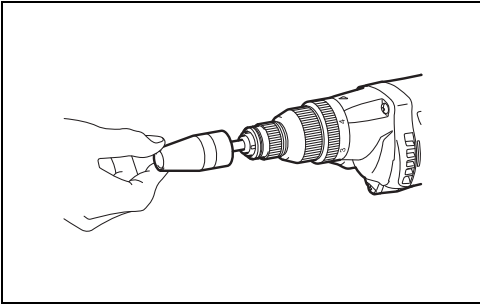
7

010120



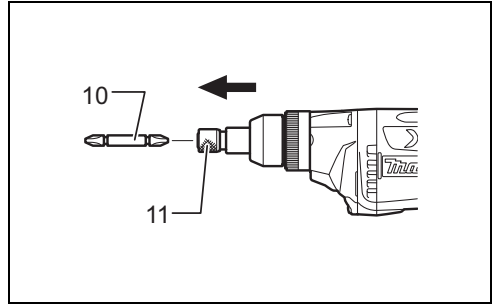
8

010191



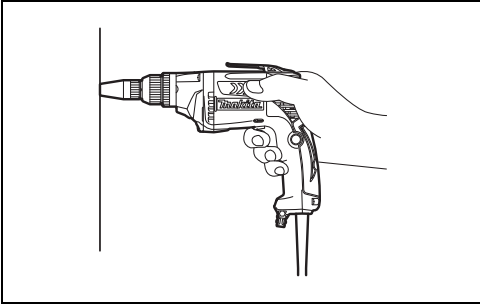
9

010116



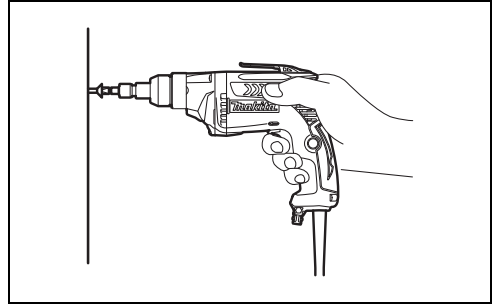
10

010128



11

010123



12

010129

Explanation of general view

- | | | |
|-------------------|---------------------------|------------|
| 1. Locator | 5. Lamp | 9. Hook |
| 2. Front cap | 6. Reversing switch lever | 10. Bit |
| 3. Switch trigger | 7. Adjusting ring | 11. Sleeve |
| 4. Lock button | 8. Pointer | |

SPECIFICATIONS

Model		FS2700	FS2701
Capacities	Self drilling screw	6 mm	
	Machine screw	8 mm	
	Wood screw	6.2 mm	
No load speed (min ⁻¹)		0 - 2,500	
Overall length		301 mm	283 mm
Net weight		1.8 kg	1.7 kg
Safety class		□/II	

- Due to our continuing program of research and development, the specifications herein are subject to change without notice.
- Specifications may differ from country to country.
- Weight according to EPTA-Procedure 01/2014

END201-7

Symbols

The following show the symbols used for the equipment. Be sure that you understand their meaning before use.



.... Read instruction manual.



..... DOUBLE INSULATION

ENE033-1

Intended use

The tool is intended for screw driving in wood, metal and plastic.

ENF002-2

Power supply

The tool should be connected only to a power supply of the same voltage as indicated on the nameplate, and can only be operated on single-phase AC supply. They are double-insulated and can, therefore, also be used from sockets without earth wire.

GEA012-2

General power tool safety warnings

⚠ WARNING: Read all safety warnings, instructions, illustrations and specifications provided with this power tool. Failure to follow all instructions listed below may result in electric shock, fire and/or serious injury.

Save all warnings and instructions for future reference.

The term “power tool” in the warnings refers to your mains-operated (corded) power tool or battery-operated (cordless) power tool.

Work area safety

1. **Keep work area clean and well lit.** Cluttered or dark areas invite accidents.
2. **Do not operate power tools in explosive atmospheres, such as in the presence of flammable liquids, gases or dust.** Power tools create sparks which may ignite the dust or fumes.
3. **Keep children and bystanders away while operating a power tool.** Distractions can cause you to lose control.

Electrical Safety

1. **Power tool plugs must match the outlet. Never modify the plug in any way. Do not use any adapter plugs with earthed (grounded) power tools.** Unmodified plugs and matching outlets will reduce risk of electric shock.
2. **Avoid body contact with earthed or grounded surfaces, such as pipes, radiators, ranges and refrigerators.** There is an increased risk of electric shock if your body is earthed or grounded.
3. **Do not expose power tools to rain or wet conditions.** Water entering a power tool will increase the risk of electric shock.
4. **Do not abuse the cord. Never use the cord for carrying, pulling or unplugging the power tool. Keep cord away from heat, oil, sharp edges or moving parts.** Damaged or entangled cords increase the risk of electric shock.
5. **When operating a power tool outdoors, use an extension cord suitable for outdoor use.** Use of a

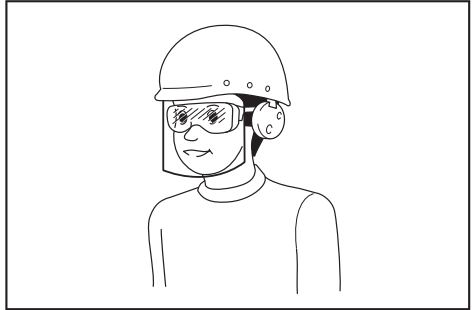
cord suitable for outdoor use reduces the risk of electric shock.

6. **If operating a power tool in a damp location is unavoidable, use a residual current device (RCD) protected supply.** Use of an RCD reduces the risk of electric shock.
7. **Use of power supply via an RCD with a rated residual current of 30 mA or less is always recommended.**
8. **Power tools can produce electromagnetic fields (EMF) that are not harmful to the user.** However, users of pacemakers and other similar medical devices should contact the maker of their device and/or doctor for advice before operating this power tool.
9. **Do not touch the power plug with wet hands.**
10. **If the cord is damaged, have it replaced by the manufacturer or his agent in order to avoid a safety hazard.**

Personal Safety

1. **Stay alert, watch what you are doing and use common sense when operating a power tool. Do not use a power tool while you are tired or under the influence of drugs, alcohol or medication.** A moment of inattention while operating power tools may result in serious personal injury.
2. **Use personal protective equipment. Always wear eye protection.** Protective equipment such as a dust mask, non-skid safety shoes, hard hat or hearing protection used for appropriate conditions will reduce personal injuries.
3. **Prevent unintentional starting. Ensure the switch is in the off-position before connecting to power source and/or battery pack, picking up or carrying the tool.** Carrying power tools with your finger on the switch or energising power tools that have the switch on invites accidents.
4. **Remove any adjusting key or wrench before turning the power tool on.** A wrench or a key left attached to a rotating part of the power tool may result in personal injury.
5. **Do not overreach. Keep proper footing and balance at all times.** This enables better control of the power tool in unexpected situations.
6. **Dress properly. Do not wear loose clothing or jewellery. Keep your hair and clothing away from moving parts.** Loose clothes, jewellery or long hair can be caught in moving parts.
7. **If devices are provided for the connection of dust extraction and collection facilities, ensure these are connected and properly used.** Use of dust collection can reduce dust-related hazards.
8. **Do not let familiarity gained from frequent use of tools allow you to become complacent and ignore tool safety principles.** A careless action can cause severe injury within a fraction of a second.

9. **Always wear protective goggles to protect your eyes from injury when using power tools.** The goggles must comply with ANSI Z87.1 in the USA, EN 166 in Europe, or AS/NZS 1336 in Australia/New Zealand. In Australia/New Zealand, it is legally required to wear a face shield to protect your face, too.



It is an employer's responsibility to enforce the use of appropriate safety protective equipments by the tool operators and by other persons in the immediate working area.

Power tool use and care

1. **Do not force the power tool. Use the correct power tool for your application.** The correct power tool will do the job better and safer at the rate for which it was designed.
2. **Do not use the power tool if the switch does not turn it on and off.** Any power tool that cannot be controlled with the switch is dangerous and must be repaired.
3. **Disconnect the plug from the power source and/or remove the battery pack, if detachable, from the power tool before making any adjustments, changing accessories, or storing power tools.** Such preventive safety measures reduce the risk of starting the power tool accidentally.
4. **Store idle power tools out of the reach of children and do not allow persons unfamiliar with the power tool or these instructions to operate the power tool.** Power tools are dangerous in the hands of untrained users.
5. **Maintain power tools and accessories. Check for misalignment or binding of moving parts, breakage of parts and any other condition that may affect the power tool's operation. If damaged, have the power tool repaired before use.** Many accidents are caused by poorly maintained power tools.
6. **Keep cutting tools sharp and clean.** Properly maintained cutting tools with sharp cutting edges are less likely to bind and are easier to control.
7. **Use the power tool, accessories and tool bits etc. in accordance with these instructions, taking into account the working conditions and the work to be performed.** Use of the power tool for operations different from those intended could result in a hazardous situation.

8. **Keep handles and grasping surfaces dry, clean and free from oil and grease.** Slippery handles and grasping surfaces do not allow for safe handling and control of the tool in unexpected situations.
9. **When using the tool, do not wear cloth work gloves which may be entangled.** The entanglement of cloth work gloves in the moving parts may result in personal injury.

Service

1. **Have your power tool serviced by a qualified repair person using only identical replacement parts.** This will ensure that the safety of the power tool is maintained.
2. **Follow instruction for lubricating and changing accessories.**

GEB135-1

Screwdriver safety warnings

1. **Hold the power tool by insulated gripping surfaces, when performing an operation where the fastener may contact hidden wiring or its own cord.** Fasteners contacting a "live" wire may make exposed metal parts of the power tool "live" and could give the operator an electric shock.
2. **Always be sure you have a firm footing. Be sure no one is below when using the tool in high locations.**
3. **Hold the tool firmly.**
4. **Keep hands away from rotating parts.**
5. **Do not touch the bit or the workpiece immediately after operation; they may be extremely hot and could burn your skin.**
6. **Always secure workpiece in a vise or similar hold-down device.**

SAVE THESE INSTRUCTIONS.

⚠ WARNING:
DO NOT let comfort or familiarity with product (gained from repeated use) replace strict adherence to safety rules for the subject product.
MISUSE or failure to follow the safety rules stated in this instruction manual may cause serious personal injury.

FUNCTIONAL DESCRIPTION

⚠ CAUTION:

- Always be sure that the tool is switched off and unplugged before adjusting or checking function on the tool.

Depth adjustment

For Model FS2700 only (Fig. 1)
 When you wish to drive self drilling screws, etc., adjust the depth as follows. Turn the locator to adjust the depth. Adjust the locator to create a distance of approximately 1 mm from the tip of the front cap (which works in conjunction with the locator) to the base of the screw head. One full turn of the locator equals 1 mm change in depth. (Fig. 2 & Fig. 3)

Switch action (Fig. 4)

⚠ CAUTION:

- Before plugging in the tool, always check to see that the switch trigger actuates properly and returns to the "OFF" position when released.

To start the tool, simply pull the switch trigger. Tool speed is increased by increasing pressure on the switch trigger. Release the switch trigger to stop.

For continuous operation, pull the switch trigger and then push in the lock button.

To stop the tool from the locked position, pull the switch trigger fully, then release it.

NOTE:

- Even with the switch on and motor running, the bit will not rotate until you fit the point of the bit in the screw head and apply forward pressure to engage the clutch.

Lighting up the lamps (Fig. 5)

⚠ CAUTION:

- Do not look in the light or see the source of light directly.

To turn on the lamp, pull the trigger. Release the trigger to turn it off.

NOTE:

- Use a dry cloth to wipe the dirt off the lens of lamp. Be careful not to scratch the lens of lamp, or it may lower the illumination.

Reversing switch action (Fig. 6)

⚠ CAUTION:

- Always check the direction of rotation before operation.
- Use the reversing switch only after the tool comes to a complete stop. Changing the direction of rotation before the tool stops may damage the tool.

This tool has a reversing switch to change the direction of rotation. Move the reversing switch lever to the ⇌ position (A side) for clockwise rotation or the ⇌ position (B side) for counterclockwise rotation.

Adjusting the fastening torque

When you wish to drive machine screws, wood screws, hex bolts, etc. with the predetermined torque, adjust the fastening torque as follows.

The fastening torque may be adjusted by turning the adjusting ring. The torque is increased by turning the adjusting ring in the direction of the arrow and decreased by turning it in the opposite direction. Align the number 1 on the adjusting ring with the pointer on the gear housing. Drive a trial screw into your material or a piece of duplicate material. If the fastening torque is not suitable for the screw, continue adjusting until the proper torque is obtained. (Fig. 7)

⚠ CAUTION:

- The adjusting ring should be turned only within the numbered range. It should not be forced beyond this range.

Hook (Fig. 8)

The hook is convenient for temporarily hanging the tool.

ASSEMBLY

CAUTION:

- Always be sure that the tool is switched off and unplugged before carrying out any work on the tool.

Installing or removing the bit

For Model FS2700

To remove the bit, first pull the front cap off and then pull the bit out firmly. (Fig. 9)

To install the bit, insert it into the tool as far as it will go and then replace the front cap.

For Model FS2701

To install the bit, pull the sleeve in the direction of the arrow and insert the bit into the sleeve as far as it will go. Then release the sleeve to secure the bit.

To remove the bit, pull the sleeve in the direction of the arrow and pull the bit out firmly. (Fig. 10)

NOTE:

- If the bit is not inserted deep enough into the sleeve, the sleeve will not return to its original position and the bit will not be secured. In this case, try re-inserting the bit according to the instructions above.
- After inserting the bit, make sure that it is firmly secured. If it comes out, do not use it.

OPERATION

Fit the screw on the point of the bit and place the point of the screw on the surface of the workpiece to be fastened. Apply pressure to the tool and start it. Withdraw the tool as soon as the clutch cuts in. Then release the switch trigger. (Fig. 11 & Fig. 12)

CAUTION:

- When fitting the screw onto the point of the bit, be careful not to push in on the screw. If the screw is pushed in, the clutch will engage and the screw will rotate suddenly. This could damage a workpiece or cause an injury.
- Make sure that the bit is inserted straight in the screw head, or the screw and/or bit may be damaged.

MAINTENANCE

CAUTION:

- Always be sure that the tool is switched off and unplugged before attempting to perform inspection or maintenance.

NOTICE:

- Never use gasoline, benzine, thinner, alcohol or the like. Discoloration, deformation or cracks may result.

To maintain product SAFETY and RELIABILITY, repairs, carbon brush inspection and replacement, any other maintenance or adjustment should be performed by Makita Authorized Service Centers, always using Makita replacement parts.

OPTIONAL ACCESSORIES

CAUTION:

- These accessories or attachments are recommended for use with your Makita tool specified in this manual. The use of any other accessories or attachments might present a risk of injury to persons. Only use accessory or attachment for its stated purpose.

If you need any assistance for more details regarding these accessories, ask your local Makita Service Center.

- Phillips bit
- Magnetic socket bit
- Front cap

NOTE:

- Some items in the list may be included in the tool package as standard accessories. They may differ from country to country.

一般外观说明

- | | | |
|---------|----------|---------|
| 1. 定位器 | 5. 照明灯 | 9. 挂钩 |
| 2. 前盖 | 6. 反转切换柄 | 10. 起子头 |
| 3. 开关扳机 | 7. 调节环 | 11. 套筒 |
| 4. 锁定按钮 | 8. 指针 | |

规格

型号		FS2700	FS2701
能力	自旋螺丝	6 mm	
	机器螺丝	8 mm	
	木螺丝	6.2 mm	
空载速度 (/min)		0 - 2,500	
总长度		301 mm	283 mm
净重		1.8 kg	1.7 kg
安全等级		回/川	


- 生产者保留变更规格不另行通知之权利。
- 规格可能因销往国家之不同而异。
- 重量符合 EPTA-Procedure 01/2014

END201-7

符号

以下显示本设备使用的符号。在使用工具之前请务必理解其含义。



 ... 阅读使用说明书。



.....双重绝缘

ENE033-1

用途

本工具用于在木材、金属和塑料中拧紧螺丝。

ENF002-2

电源

本工具只可连接电压与铭牌所示电压相同的电源，且仅可使用单相交流电源。本工具双重绝缘，因此也可用于不带接地线的插座。

GEA012-2

电动工具一般安全警告

△警告：请诵读本电动工具附带的所有安全警告、说明、插图和规格。若不遵循下列说明，则可能导致触电、起火和 / 或严重的人身伤害。

请保留所有的警告和说明事项，以备日后参考。

警告中所说的“电动工具”指用电源（接线式）或电池（充电式）驱动的电动工具。

工作区域安全事项

1. 保持工作区域清洁，照明情况良好。混乱或黑暗的工作区域容易招致意外情况发生。
2. 请勿在易爆环境，如有可燃性液体、气体或粉尘的环境下操作电动工具。电动工具产生的火花可能会引燃粉尘或气体。
3. 操作电动工具时请让儿童和旁观者远离。操作时的分心会使您无法正常控制工具。

电气安全事项

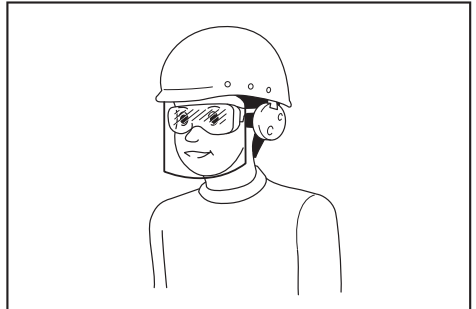
1. 电动工具的插头必须与插座相匹配。切勿以任何方式对插头进行改装。请勿将任何适配器插头用于接地的电动工具。未经改装的插头和相匹配的插座可降低触电的危险。
2. 请避免与接地的表面如管子、散热器、炉灶以及冰箱等进行身体接触。如果您的身体接地，将会增加触电的危险。
3. 请勿将电动工具暴露在雨水或潮湿的环境中。水进入电动工具将增加触电的危险。

4. 请勿不当使用导线。切勿用导线拖拽工具或拔出电动工具的插头。避免使导线受热、沾染油脂，碰到尖锐的边缘或运动部件。破损或缠绕的导线会增加触电的危险。
5. 在户外操作电动工具时，请使用户外专用的延长线。使用户外专用的导线可降低触电的危险。
6. 如果必须要在潮湿的场所操作电动工具时，请使用带剩余电流装置（RCD）保护功能的电源。使用 RCD 可降低触电的危险。
7. 始终建议通过额定剩余电流为 30 mA 或以下的 RCD 来使用电源。
8. 电动工具会产生对用户无害的电磁场（EMF）。但是，起搏器和其他类似医疗设备的用户应在操作本电动工具前咨询其设备的制造商和 / 或医生寻求建议。
9. 请勿用湿手触摸电源插头。
10. 如果导线破损，则由制造商或其代理商更换以避免安全隐患。

人身安全注意事项

1. 操作电动工具时请保持警惕，注意您的操作，并运用常识。请勿在疲惫或受到麻醉品、酒精或其他药物作用影响下操作电动工具。在操作电动工具期间分心可能会导致严重的人身伤害。
2. 请使用个人劳防用品。请务必佩戴安全眼镜。正确使用防尘面罩、防滑安全鞋、硬质帽子或耳罩等劳防用品可减少人身伤害的危险。
3. 防止意外启动。在连接到电源和 / 或电池组，拿起或搬运工具之前，请确保开关处于关闭位置。搬运工具时手指放在开关上或在开关打开的情况下给工具通电会导致意外情况发生。
4. 在启动工具之前请取下所有的调节钥匙或扳手。如果工具的旋转部件上留有扳手或调节钥匙，则可能会导致人身伤害。
5. 操作时手不要伸得太长。操作时请双脚站稳，始终保持平衡。这样可在意外情况下较好地控制工具。
6. 着装适当。不要穿宽松衣服或佩戴饰品。让您的头发和衣服远离运动部件。宽松衣服、佩饰或长发可能会卷入运动部件。
7. 如果提供了与除尘和集尘设备连接用的装置，请确保将其正确连接和使用。使用集尘设备可减少与粉尘有关的危害。
8. 不要因为频繁使用工具而产生的熟悉感而掉以轻心，忽视工具的安全准则。某个粗心的动作可能在瞬间导致严重的伤害。

9. 使用电动工具时请始终佩戴护目镜以免伤害眼睛。护目镜须符合美国 ANSI Z87.1、欧洲 EN 166 或者澳大利亚 / 新西兰的 AS/NZS 1336 的规定。在澳大利亚 / 新西兰，法律要求佩戴面罩保护脸部。



雇主有责任监督工具操作者和其他近工作区域人员佩戴合适的安全防护设备。

电动工具的使用和保养

1. 不要滥用电动工具。根据用途使用正确的电动工具。使用工具时不可超出其设计额定值，这样才能更好、更安全地完成作业。
2. 如果工具的开关无法使工具开启和关闭，则请勿使用该工具。无法通过开关控制的电动工具非常危险，必须进行维修。
3. 在进行任何调节、更换附件或贮存电动工具之前，必须从电源上拔掉插头和 / 或卸下电池包（如可拆卸）。这种防护性的安全措施可降低电动工具意外启动的风险。
4. 将闲置的电动工具存放于儿童无法触及之处，并且不得让任何不熟悉工具或这些说明事项的人员操作工具。电动工具在未经训练的用户手中是危险的。
5. 维护电动工具及其附件。检查运动部件是否调整到位或卡住，检查零件破损情况和影响电动工具运行的其他状况。如有损坏，应在使用前修理好电动工具。许多事故是由维护不良的电动工具引发的。
6. 保持切割工具的锋利和清洁。保养良好，具有锋利切边的切割工具不易粘连，并且易于控制。
7. 按照这些说明事项，根据作业条件和作业特点来使用电动工具、附件和钻头。将电动工具用于除了这些设计用途以外的操作时将导致意外情况发生。
8. 保持把手和抓握表面干燥、清洁，无油污和润滑脂。湿滑的把手和抓握表面无法在意外情况下安全处理和控制工具。
9. 使用本工具时，请勿佩戴可能会缠结的布质工作手套。布质工作手套卷入移动部件可能会造成人身伤害。

维修服务

1. 请将您的电动工具交由有资格的专业维修人员处理，仅可使用与原部件相同的更换部件。这样可确保工具的安全性。
2. 根据说明进行润滑和更换附件。

GEB135-1

电动螺丝刀安全警告

1. 当进行作业时紧固装置可能会接触到隐藏的电线或自身的电线，请握住工具的绝缘抓握表面。紧固装置接触到“带电”的电线时，工具上暴露的金属部分可能也会“带电”，并使操作者触电。
2. 请务必确保立足稳固。
在高处使用工具时确保下方无人。
3. 请牢握本工具。
4. 手应远离旋转的部件。
5. 操作之后，请勿立刻触摸起子头或工件，因为它们可能会非常烫而导致烫伤皮肤。
6. 请务必用虎钳或类似夹紧装置固定工件。

请保留此说明书。

⚠警告：

请勿为图方便或因对产品足够熟悉（由于重复使用而获得的经验）而不严格遵循相关产品安全规则。
使用不当或不遵循使用说明书中的安全规则会导致严重的人身伤害。

功能描述

⚠小心：

- 在调节或检查工具功能之前，请务必关闭工具电源开关并拔下电源插头。

深度调节

仅限 FS2700 型（图 1）

当要驱动自旋螺丝等时，请按如下调节深度。转动定位器调节深度。
转动定位器使前盖（与定位器一起使用）的头部与螺丝头部之间有约 1 mm 的距离。转动定位器一周可改变 1 mm 的深度。（图 2 及图 3）

开关操作（图 4）

⚠小心：

- 插上工具电源插头之前，请务必确认扳机开关能够正常工作，松开时能回到“关闭”位置。

启动工具时，只要扣动开关扳机即可。随着在开关扳机上施加压力的增大，工具速度会提高。松开开关扳机工具即停止。
连续操作时，扣动开关扳机并按下锁定按钮。要从锁定位置停止工具时，可将开关扳机扣到底，然后松开。

注：

- 如果未将起子头的头端置于螺丝的头部并施加向前的压力使夹头啮合的话，即使打开开关使电动机处于运转状态，起子头也不会旋转。

点亮照明灯（图 5）

⚠小心：

- 请勿直视灯光或光源。
扣动扳机打开照明灯。松开扳机关闭照明灯。

注：

- 请用干布清除灯面上的灰尘。注意不要刮花灯镜面，否则会降低照明亮度。

反转开关操作（图 6）

⚠小心：

- 请在操作前务必检查旋转方向。
 - 请在工具完全停止后使用反转开关。在工具停止前改变旋转方向可能会损坏工具。
- 本工具设有反转开关，可改变旋转方向。向 ⇐ 位置（A 侧）按压反转切换柄可进行顺时针方向旋转或向 ⇒ 位置（B 侧）按压进行逆时针方向旋转。

调节紧固转矩

当您想要以预定的转矩拧动机器螺丝、木螺丝、六角螺栓等时，请按如下调节紧固转矩。可通过转动调节环调节紧固转矩。朝箭头方向转动调节环增大转矩，朝反方向转动减小转矩。对齐调节环上的数字 1 和齿轮箱上的指针。将试验螺丝拧入材料或与其相同的材料。如果紧固转矩不适合螺丝，请继续调节直至达到合适的转矩。（图 7）

⚠小心：

- 仅可在数字标示范围内转动调节环。不得强力超此范围转动。

挂钩（图 8）

挂钩便于临时悬挂工具。

装配

△小心:

- 对工具进行任何装配操作前请务必确认工具已关闭且已拔下电源插头。

安装或拆卸起子头

FS2700 型

拆卸起子头时，请先拔出前盖，再用力拔出起子头。（图 9）

安装起子头时，应将起子头插到工具的最里端，然后更换前盖。

FS2701 型

安装起子头时，应沿箭头的方向拉动套筒并将起子头一直插到套筒最里端。然后松开套筒以固定起子头。

拆卸起子头时，应沿箭头方向拉动套筒并用将起子头拉出。（图 10）

注:

- 如果起子头未充分插入套筒中，套筒将不能退回至原位，从而无法固定起子头。此时，应根据上述说明重新插入起子头。
- 插入起子头后，请务必确保其紧固。如果脱落出来，则请勿使用。

操作

将螺丝置于起子头的头端上，然后将螺丝尖端置于所要进行固定的工件表面上。对工具施加压力以启动工具。当夹头被卡住时要立即撤出机器。然后松开开关扳机。（图 11 及图 12）

△小心:

- 当将螺丝置于起子头的头端上时，注意不要推压螺丝。如果推压螺丝就会使夹头啮合而造成螺丝的突然转动。这会损坏工件或造成人身伤害。
- 务必要将起子头平直地插入螺丝头端，否则会损坏螺丝和 / 或起子头。

保养

△小心:

- 检查或保养工具之前，请务必关闭工具电源开关并拔下插头。

注意:

- 切勿使用汽油、苯、稀释剂、酒精或类似物品清洁工具。否则可能会导致工具变色、变形或出现裂缝。

为了保证产品的安全性与可靠性，任何维修、碳刷检查、更换部件或其它维修保养工作需由 Makita（牧田）授权服务中心完成。务必使用 Makita（牧田）的替换部件。

选购附件

△小心:

- 这些附件或装置专用于本说明书所列的 Makita（牧田）电动工具。使用其他配件或装置存在人身伤害风险。仅可将附件或装置用于规定目的。

如您需要了解更多关于这些选购附件的信息，请咨询当地的 Makita（牧田）维修服务中心。

- 十字起子头
- 磁性套筒起子头
- 前盖

注:

- 本列表表中的一些部件可能作为标准附件包含于工具包装内。它们可能因销往国家之不同而异。

Penjelasan tampilan keseluruhan

- | | | |
|------------------|------------------------------|----------------|
| 1. Penepat | 5. Lampu | 9. Kait |
| 2. Tutup depan | 6. Tuas saklar pembalik arah | 10. Mata mesin |
| 3. Saklar pemicu | 7. Cincin penyatel | 11. Selongsong |
| 4. Tombol kunci | 8. Penunjuk | |

SPESIFIKASI

Model		FS2700	FS2701
Kapasitas	Sekrup menatik sendiri	6 mm	
	Sekrup mesin	8 mm	
	Sekrup kayu	6,2 mm	
Kecepatan tanpa beban (min ⁻¹)		0 - 2.500	
Panjang keseluruhan		301 mm	283 mm
Berat bersih		1,8 kg	1,7 kg
Kelas keamanan		□/II	

- Karena kesinambungan program penelitian dan pengembangan kami, spesifikasi yang disebutkan di sini dapat berubah tanpa pemberitahuan.
- Spesifikasi dapat berbeda dari satu negara ke negara lainnya.
- Berat menurut Prosedur EPTA 01/2014

END201-7

Simbol

Berikut ini adalah simbol-simbol yang digunakan pada peralatan ini.

Pastikan Anda mengerti makna masing-masing simbol sebelum menggunakan alat.



..... Baca petunjuk penggunaan.



..... ISOLASI GANDA

ENE033-1

Penggunaan

Mesin ini digunakan untuk memasang sekrup pada kayu, logam dan plastik.

ENF002-2

Pasokan daya

Mesin harus terhubung dengan pasokan daya bervoltase sama dengan yang tertera pada pelat nama, dan hanya dapat dijalankan dengan listrik AC fase tunggal. Mesin diisolasi ganda sehingga dapat juga dihubungkan dengan soket tanpa kabel arde.

GEA012-2

Peringatan keselamatan umum mesin listrik

⚠ PERINGATAN: Bacalah semua peringatan keselamatan, petunjuk, ilustrasi dan spesifikasi yang disertakan bersama mesin listrik ini. Kelalaian untuk mematuhi semua petunjuk yang tercantum di bawah ini dapat menyebabkan sengatan listrik, kebakaran dan/atau cedera serius.

Simpanlah semua peringatan dan petunjuk untuk acuan di masa depan.

Istilah "mesin listrik" dalam semua peringatan mengacu pada mesin listrik yang dijalankan dengan sumber listrik jala-jala (berkabel) atau baterai (tanpa kabel).

Keselamatan tempat kerja

1. **Jaga tempat kerja selalu bersih dan berpenerangan cukup.** Tempat kerja yang berantakan dan gelap mengundang kecelakaan.
2. **Jangan gunakan mesin listrik dalam lingkungan yang mudah meledak, misalnya jika ada cairan, gas, atau debu yang mudah menyala.** Mesin listrik menimbulkan bunga api yang dapat menyalaakan debu atau uap tersebut.
3. **Jauhkan anak-anak dan orang lain saat menggunakan mesin listrik.** Bila perhatian terpecah, anda dapat kehilangan kendali.

Keamanan Kelistrikan

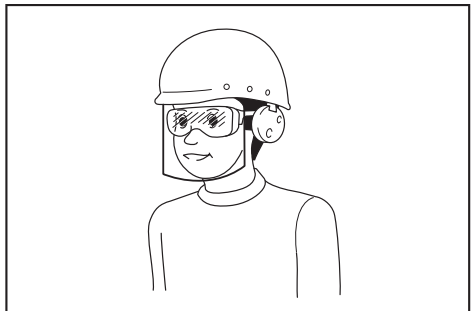
1. **Steker mesin listrik harus cocok dengan stopkontak. Jangan sekali-kali mengubah steker dengan cara apa pun. Jangan menggunakan steker adaptor dengan mesin listrik terbumi (dibumikan).** Steker yang tidak diubah dan stopkontak yang cocok akan mengurangi risiko sengatan listrik.
2. **Hindari sentuhan tubuh dengan permukaan terbumi atau yang dibumikan seperti pipa, radiator, kompor, dan kulkas.** Risiko sengatan listrik bertambah jika tubuh Anda terbumikan atau dibumikan.
3. **Jangan membiarkan mesin listrik keujanan atau kebasahan.** Air yang masuk ke dalam mesin listrik akan meningkatkan risiko sengatan listrik.

4. **Jangan menyalahgunakan kabel. Jangan sekali-kali menggunakan kabel untuk membawa, menarik, atau mencabut mesin listrik dari stopkontak. Jauhkan kabel dari panas, minyak, tepian tajam, atau bagian yang bergerak. Kabel yang rusak atau kusut memperbesar risiko sengatan listrik.**
5. **Bila menggunakan mesin listrik di luar ruangan, gunakan kabel ekstensi yang sesuai untuk penggunaan di luar ruangan. Penggunaan kabel yang sesuai untuk penggunaan luar ruangan mengurangi risiko sengatan listrik.**
6. **Jika mengoperasikan mesin listrik di lokasi lembap tidak terhindarkan, gunakan pasokan daya yang dilindungi peranti imbasan arus (residual current device - RCD). Penggunaan RCD mengurangi risiko sengatan listrik.**
7. **Penggunaan pasokan daya melalui RCD dengan kapasitas arus sisa 30 mA atau kurang selalu dianjurkan.**
8. **Mesin listrik dapat menghasilkan medan magnet (EMF) yang tidak berbahaya bagi pengguna. Namun, pengguna alat pacu jantung atau peralatan medis sejenisnya harus berkonsultasi dengan produsen peralatan tersebut dan/atau dokter mereka sebelum mengoperasikan mesin listrik ini.**
9. **Jangan menyentuh colokan daya dengan tangan basah.**
10. **Jika kabel rusak, penggantian harus dilakukan oleh produsen atau agennya untuk menghindari bahaya keselamatan.**

Keselamatan Diri

1. **Jaga kewaspadaan, perhatikan pekerjaan Anda dan gunakan akal sehat bila menggunakan mesin listrik. Jangan menggunakan mesin listrik saat Anda lelah atau di bawah pengaruh obat bius, alkohol, atau obat. Sekejap saja lalai saat menggunakan mesin listrik dapat menyebabkan cedera badan serius.**
2. **Gunakan alat pelindung diri. Selalu gunakan pelindung mata. Peralatan pelindung seperti masker debu, sepatu pengaman anti-selip, helm pengaman, atau pelindung telinga yang digunakan untuk kondisi yang sesuai akan mengurangi risiko cedera badan.**
3. **Cegah penyalaan yang tidak disengaja. Pastikan bahwa sakelar berada dalam posisi mati (off) sebelum menghubungkan mesin ke sumber daya dan/atau paket baterai, atau mengangkat atau membawanya. Membawa mesin listrik dengan jari Anda pada sakelarnya atau mengalirkan listrik pada mesin listrik yang sakelarnya hidup (on) akan mengundang kecelakaan.**
4. **Lepaskan kunci-kunci penyetel sebelum menghidupkan mesin listrik. Kunci-kunci yang masih terpasang pada bagian mesin listrik yang berputar dapat menyebabkan cedera.**
5. **Jangan meraih terlalu jauh. Jagalah pijakan dan keseimbangan sepanjang waktu. Hal ini memungkinkan kendali yang lebih baik atas mesin listrik dalam situasi yang tidak diharapkan.**
6. **Kenakan pakaian yang memadai. Jangan memakai pakaian yang longgar atau perhiasan. Jaga jarak antara rambut dan pakaian Anda dengan komponen mesin yang bergerak. Pakaian yang**

- longgar, perhiasan, atau rambut yang panjang dapat tersangkut pada komponen yang bergerak.
7. **Jika tersedia fasilitas untuk menghisap dan mengumpulkan debu, pastikan fasilitas tersebut terhubung listrik dan digunakan dengan baik. Penggunaan pembersih debu dapat mengurangi bahaya yang terkait dengan debu.**
 8. **Jangan sampai Anda lengah dan mengabaikan prinsip keselamatan mesin ini hanya karena sudah sering mengoperasikannya dan sudah merasa sudah terbiasa. Tindakan yang selalai dapat menyebabkan cedera berat dalam persekian detik saja.**
 9. **Selalu kenakan kacamata pelindung untuk melindungi mata dari cedera saat menggunakan mesin listrik. Kacamata harus sesuai dengan ANSI Z87.1 di Amerika Serikat, EN 166 di Eropa, atau AS/NZS 1336 di Australia/Selandia Baru. Di Australia/Selandia Baru, secara hukum Anda juga diwajibkan mengenakan pelindung wajah untuk melindungi wajah Anda.**



Menjadi tanggung jawab atasan untuk menerapkan penggunaan alat pelindung keselamatan yang tepat bagi operator mesin dan orang lain yang berada di area kerja saat itu.

Penggunaan dan pemeliharaan mesin listrik

1. **Jangan memaksa mesin listrik. Gunakan mesin listrik yang tepat untuk keperluan Anda. Mesin listrik yang tepat akan menuntaskan pekerjaan dengan lebih baik dan aman pada kecepatan sesuai rancangannya.**
2. **Jangan gunakan mesin listrik jika sakelar tidak dapat menyalakan dan mematikannya. Mesin listrik yang tidak dapat dikendalikan dengan sakelarnya adalah berbahaya dan harus diperbaiki.**
3. **Cabut steker dari sumber listrik dan/atau lepas paket baterai, jika dapat dilepas, dari mesin listrik sebelum melakukan penyetelan apa pun, mengganti aksesoris, atau menyimpan mesin listrik. Langkah keselamatan preventif tersebut mengurangi risiko hidupnya mesin secara tak sengaja.**
4. **Simpan mesin listrik jauh dari jangkauan anak-anak dan jangan biarkan orang yang tidak paham mengenai mesin listrik tersebut atau petunjuk ini menggunakan mesin listrik. Mesin listrik sangat berbahaya di tangan pengguna yang tak terlatih.**

5. **Rawatlah mesin listrik dan aksesori. Periksa apakah ada komponen bergerak yang tidak lurus atau macet, komponen yang pecah, dan kondisi-kondisi lain yang dapat memengaruhi pengoperasian mesin listrik. Jika rusak, perbaiki dahulu mesin listrik sebelum digunakan.** Banyak kecelakaan disebabkan oleh kurangnya pemeliharaan mesin listrik.
6. **Jaga agar mesin pemotong tetap tajam dan bersih.** Mesin pemotong yang terawat baik dengan mata pemotong yang tajam tidak mudah macet dan lebih mudah dikendalikan.
7. **Gunakan mesin listrik, aksesori, dan mata mesin, dll. sesuai dengan petunjuk ini, dengan memperhitungkan kondisi kerja dan jenis pekerjaan yang dilakukan.** Penggunaan mesin listrik untuk penggunaan yang lain dari peruntukan dapat menimbulkan situasi berbahaya.
8. **Jagalah agar gagang dan permukaan pegangan tetap kering, bersih, dan bebas dari minyak dan pelumas.** Gagang dan permukaan pegangan yang licin tidak mendukung keamanan penanganan dan pengendalian mesin dalam situasi-situasi tak terduga.
9. **Ketika menggunakan mesin, jangan menggunakan sarung tangan kain yang dapat tersangkut.** Sarung tangan kain yang tersangkut pada komponen bergerak dapat mengakibatkan cedera pada pengguna.

Servis

1. **Berikan mesin listrik untuk diperbaiki hanya kepada oleh teknisi yang berkualifikasi dengan menggunakan hanya suku cadang pengganti yang serupa.** Hal ini akan menjamin terjaganya keamanan mesin listrik.
2. **Patuhi petunjuk pelumasan dan penggantian aksesori.**

GEB135-1

Peringatan keselamatan obeng listrik

1. **Pegang mesin listrik pada permukaan genggam yang terisolasi saat melakukan pekerjaan bila pengencang mungkin bersentuhan dengan kawat tersembunyi atau kabelnya sendiri.** Pengencang yang menyentuh kawat "hidup" dapat menyebabkan bagian logam pada mesin teraliri arus listrik dan menyengat pengguna.
2. **Selalu pastikan Anda berdiri pada pijakan yang stabil.** Pastikan tidak ada orang berada di bawah Anda saat menggunakan mesin di tempat yang tinggi.
3. **Pegang mesin kuat-kuat.**
4. **Jauhkan tangan dari bagian yang berputar.**
5. **Jangan menyentuh mata mesin atau benda kerja segera setelah pengoperasian; suhunya mungkin masih sangat panas dan dapat membakar kulit Anda.**
6. **Selalu kencangkan benda kerja menggunakan ragum atau perangkat penahan yang serupa.**

SIMPAN PETUNJUK INI.

⚠ PERINGATAN:

JANGAN biarkan kenyamanan atau terbiasanya Anda dengan produk (karena penggunaan berulang) mengurangi kepatuhan yang ketat terhadap aturan keselamatan untuk produk yang terkait. **PENYALAHGUNAAN** atau kelalaian mematuhi kaidah keselamatan yang tertera dalam petunjuk ini dapat menyebabkan cedera badan serius.

DESKRIPSI FUNGSI

⚠ PERHATIAN:

- Pastikan bahwa mesin dalam keadaan mati dan steker tercabut sebelum menyetal atau memeriksa kerja mesin.

Menyetelan kedalaman

Hanya untuk Model FS2700 (Gb. 1)

Ketika Anda ingin memasang sekrup menakik sendiri, dll., setel kedalaman sebagaimana berikut. Putar penapat untuk menyetal kedalaman.

Setel penapat untuk menghasilkan jarak kira-kira 1 mm dari ujung tutup depan (yang bekerja bersama dengan penapat) ke dudukan kepala sekup. Satu putaran penuh penapat sama dengan mengubah kedalaman sebesar 1 mm. (Gb. 2 & Gb. 3)

Kerja saklar (Gb.4)

⚠ PERHATIAN:

- Sebelum memasukkan steker, pastikan saklar berfungsi dengan baik dan kembali ke posisi "OFF" saat dilepas.

Untuk menjalankan mesin, cukup tarik picu saklarnya. Kecepatan mesin akan meningkat dengan menambah tekanan pada picu saklar. Lepaskan picu saklar untuk berhenti.

Untuk penggunaan terus menerus, tarik picu saklar lalu tekan tombol kunci.

Untuk membebaskan posisi terkunci, tarik picu saklar sampai penuh, lalu lepaskan.

CATATAN:

- Walaupun kondisinya menyala dan motor dalam keadaan hidup, mata mesin tidak akan berputar sampai Anda menempatkan ujung mata mesin pada kepala sekup dan menekan maju mesin untuk menjalankan kopeling.

Menyalakan lampu (Gb. 5)

⚠ PERHATIAN:

- Jangan melihat lampu atau sumber cahaya secara langsung.

Untuk menyalakan lampu, tarik picu saklar. Lepaskan picu untuk mematikan.

CATATAN:

- Gunakan kain kering untuk mengelap kotoran dari lensa lampu. Hati-hati jangan sampai menggores lensa lampu, atau hal tersebut dapat menurunkan tingkat penerangannya.

KERJA saklar pembalik arah (Gb. 6)

⚠ PERHATIAN:

- Selalu periksa arah putaran sebelum penggunaan.
- Gunakan saklar pembalik arah hanya setelah mesin berhenti penuh. Mengubah arah putaran sebelum mesin berhenti dapat merusak mesin.

Mesin ini memiliki saklar pembalik arah untuk mengubah arah putaran. Gerakkan tuas saklar pembalik arah ke posisi ⇄ (sisi A) untuk putaran searah jarum jam atau posisi ⇄ (sisi B) untuk putaran berlawanan arah jarum jam.

Menyetel torsi pengencangan

Ketika Anda ingin memasang sekrup mesin, sekrup kayu, baut kepala segi-enam, dll. dengan torsi tertentu, setel torsi pengencangan sebagaimana berikut.

Torsi pengencangan bisa disetel dengan memutar cincin penyetel. Torsi bertambah dengan memutar cincin penyetel sesuai arah panah dan berkurang dengan memutarnya ke arah yang berlawanan. Seajarkan angka 1 pada cincin penyetel dengan penunjuk pada rumah gir. Pasang sekrup percobaan pada bahan atau potongan bahan lain. Jika torsi pengencangan tidak cocok dengan sekrupnya, lanjutkan penyetelan sampai didapatkan torsi yang tepat. (Gb. 7)

⚠ PERHATIAN:

- Cincin penyetel harus diputar hanya dalam rentang berangka. Tidak boleh dipaksa melebihi rentang ini.

Kait (Gb. 8)

Kait bisa digunakan untuk menggantung mesin sementara.

PERAKITAN

⚠ PERHATIAN:

- Pastikan bahwa mesin dalam keadaan mati dan steker tercabut sebelum melakukan pekerjaan apapun pada mesin.

Memasang atau melepas mata mesin

Untuk Model FS2700

Untuk melepas mata mesin, pertama-tama, lepas tutup depan dan kemudian cabut mata mesin kuat-kuat. (Gb. 9)
Untuk memasang mata mesin, masukkan ke dalam mesin sejauh mungkin dan kemudian ganti tutup depan.

Untuk Model FS2701

Untuk memasang mata mesin, tarik selongsong sesuai arah panah dan masukkan mata mesin ke dalam selongsong sejauh mungkin. Kemudian lepaskan selongsong untuk mengencangkan mata mesin.
Untuk melepas mata mesin, tarik selongsong sesuai arah panah dan cabut mata mesin kuat-kuat. (Gb. 10)

CATATAN:

- Jika mata mesin tidak dimasukkan penuh ke dalam selongsong, selongsong tidak akan kembali pada posisi semula dan mata mesin tidak terpasang. Untuk kasus ini, coba masukkan kembali mata mesin sesuai dengan petunjuk di atas.
- Setelah memasukkan mata mesin, pastikan terpasang dengan kuat. Jika menonjol keluar, jangan digunakan.

PENGGUNAAN

Pasang sekrup pada ujung mata mesin dan posisikan ujung sekrup pada permukaan benda kerja yang akan dikencangkan. Beri tekanan pada mesin lalu nyalakan. Tarik mesin segera setelah kopeling memotong. Kemudian lepas picu saklar. (Gb. 11 & Gb. 12)

⚠ PERHATIAN:

- Ketika memasang sekrup pada ujung mata mesin, hati-hati jangan sampai mendorong sekrup ke dalam. Jika sekrup terdorong ke dalam, kopeling akan bekerja dan sekrup akan berputar secara tiba-tiba. Hal ini bisa merusak benda kerja atau menyebabkan luka.
- Pastikan bahwa mata mesin dimasukkan lurus terhadap kepala sekrup, atau sekrup dan/atau mata mesin bisa rusak.

PERAWATAN

⚠ PERHATIAN:

- Selalu pastikan bahwa mesin dimatikan dan steker dicabut sebelum melakukan pemeriksaan atau perawatan.

PEMBERITAHUAN:

- Jangan sekali-kali menggunakan benzena, tiner, alkohol, atau bahan sejenisnya. Penggunaan bahan tersebut dapat menyebabkan perubahan warna, perubahan bentuk, atau timbulnya retakan.

Untuk menjaga KEAMANAN dan KEANDALAN mesin, perbaikan, pemeriksaan dan penggantian sikat karbon, serta perawatan atau penyetelan lain harus dilakukan oleh Pusat Layanan Resmi Makita, selalu gunakan suku cadang pengganti buatan Makita.

AKSESORI PILIHAN

⚠ PERHATIAN:

- Dianjurkan untuk menggunakan aksesoris atau perangkat tambahan ini dengan mesin Makita Anda yang ditentukan dalam petunjuk ini. Penggunaan aksesoris atau perangkat tambahan lain bisa menyebabkan risiko cedera pada manusia. Hanya gunakan aksesoris atau perangkat tambahan sesuai dengan peruntukannya.

Jika Anda memerlukan bantuan lebih rinci berkenaan dengan aksesoris ini, tanyakan pada Pusat Layanan Makita terdekat.

- Mata mesin Phillips
- Mata mesin soket magnetik
- Tutup depan

CATATAN:

- Beberapa item dalam daftar tersebut mungkin sudah termasuk dalam paket pengisap sebagai aksesoris standar. Hal tersebut dapat berbeda dari satu negara ke negara lainnya.

Giải thích về hình vẽ tổng thể

- | | | |
|---------------------------|---------------------------|---------------|
| 1. Đầu định vị | 5. Đèn | 9. Móc treo |
| 2. Nắp trước | 6. Cần công tắc đảo chiều | 10. Mũi vít |
| 3. Cần khởi động công tắc | 7. Vòng điều chỉnh | 11. Trụ ngoài |
| 4. Nút khóa | 8. Vạch chuẩn | |

THÔNG SỐ KỸ THUẬT

Kiểu		FS2700	FS2701
Công suất	Vít tự khoan	6 mm	
	Vít máy	8 mm	
	Vít bắt gỗ	6,2 mm	
Tốc độ không tải (phút ⁻¹)		0 - 2.500	
Chiều dài tổng thể		301 mm	283 mm
Khối lượng tịnh		1,8 kg	1,7 kg
Cấp độ an toàn		□/II	

- Do chương trình nghiên cứu và phát triển liên tục của chúng tôi nên các thông số kỹ thuật trong đây có thể thay đổi mà không cần thông báo trước.
- Các thông số kỹ thuật có thể thay đổi tùy theo từng quốc gia.
- Khối lượng tùy theo Quy trình EPTA tháng 01/2014

END201-7

Ký hiệu

Phần dưới đây cho biết các ký hiệu được dùng cho thiết bị. Đảm bảo rằng bạn hiểu rõ ý nghĩa của các ký hiệu này trước khi sử dụng.



..... Đọc tài liệu hướng dẫn.



..... CÁCH ĐIỆN CẤP 2

ENE033-1

Mục đích sử dụng

Dụng cụ này dùng để bắt vít vào gỗ, kim loại và nhựa.

ENF002-2

Nguồn cấp điện

Dụng cụ này chỉ được nối với nguồn cấp điện có điện áp giống như đã chỉ ra trên biển tên và chỉ có thể được vận hành trên nguồn điện AC đơn pha. Chúng được cách điện hai lớp và do đó cũng có thể được sử dụng từ các ổ cắm điện không có dây tiếp đất.

GEA012-2

Cảnh báo an toàn chung dành cho dụng cụ máy

⚠ CẢNH BÁO: Xin đọc tất cả các cảnh báo an toàn, hướng dẫn, minh họa và thông số kỹ thuật đi kèm với dụng cụ máy này. Việc không tuân theo các hướng dẫn được liệt kê dưới đây có thể dẫn đến điện giật, hỏa hoạn và/hoặc thương tích nghiêm trọng.

Lưu giữ tất cả cảnh báo và hướng dẫn để tham khảo sau này.

Thuật ngữ “dụng cụ máy” trong các cảnh báo đề cập đến dụng cụ máy (có dây) được vận hành bằng nguồn điện chính hoặc dụng cụ máy (không dây) được vận hành bằng pin của bạn.

An toàn tại nơi làm việc

- Giữ nơi làm việc sạch sẽ và có đủ ánh sáng.** Nơi làm việc bừa bộn hoặc tối thường dễ gây ra tai nạn.
- Không vận hành dụng cụ máy trong môi trường cháy nổ, ví dụ như môi trường có sự hiện diện của các chất lỏng, khí hoặc bụi dễ cháy.** Các dụng cụ máy tạo tia lửa điện có thể làm bụi hoặc khí bốc cháy.
- Giữ trẻ em và người ngoài tránh xa nơi làm việc khi đang vận hành dụng cụ máy.** Sự xao lãng có thể khiến bạn mất khả năng kiểm soát.

An toàn về Điện

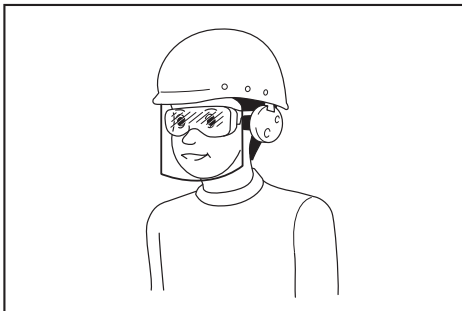
- Phích cắm của dụng cụ máy phải khớp với ổ cắm. Không được sửa đổi phích cắm theo bất kỳ cách nào. Không sử dụng bất kỳ phích cắm chuyên đổi nào với các dụng cụ máy được nối đất (tiếp đất).** Các phích cắm còn nguyên vẹn và ổ cắm phù hợp sẽ giảm nguy cơ điện giật.
- Tránh để cơ thể tiếp xúc với các bề mặt nổi đất hoặc tiếp đất như đường ống, bộ tản nhiệt, bếp ga và tủ lạnh.** Nguy cơ bị điện giật sẽ tăng lên nếu cơ thể bạn được nối đất hoặc tiếp đất.
- Không để dụng cụ máy tiếp xúc với mưa hoặc trong điều kiện ẩm ướt.** Nước lọt vào dụng cụ máy sẽ làm tăng nguy cơ điện giật.

4. **Không lạm dụng dây điện.** Không được phép sử dụng dây để mang, kéo hoặc tháo phích cắm dụng cụ máy. Giữ dây tránh xa nguồn nhiệt, dầu, các mếp sắc hoặc các bộ phận chuyển động. Dây bị hỏng hoặc bị rối sẽ làm tăng nguy cơ điện giật.
5. **Khi vận hành dụng cụ máy ngoài trời, hãy sử dụng dây kéo dài phù hợp cho việc sử dụng ngoài trời.** Việc dùng dây phù hợp cho việc sử dụng ngoài trời sẽ giảm nguy cơ điện giật.
6. **Nếu bắt buộc phải vận hành dụng cụ máy ở nơi ẩm ướt, hãy sử dụng nguồn cấp điện được bảo vệ bằng thiết bị ngắt dòng điện rò (RCD).** Việc sử dụng RCD sẽ làm giảm nguy cơ điện giật.
7. **Chúng tôi luôn khuyên bạn sử dụng nguồn cấp điện qua thiết bị RCD có thể ngắt dòng điện rò định mức 30 mA hoặc thấp hơn.**
8. **Các dụng cụ máy có thể tạo ra từ trường điện (EMF) có hại cho người dùng.** Tuy nhiên, người dùng máy trợ tim và những thiết bị y tế tương tự khác nên liên hệ với nhà sản xuất thiết bị và/hoặc bác sỹ để được tư vấn trước khi vận hành dụng cụ này.
9. **Không chạm vào đầu cắm điện bằng tay ướt.**
10. **Nếu dây bị hỏng, hãy nhờ nhà sản xuất hoặc đại lý thay dây mới để tránh nguy hiểm về an toàn.**

An toàn Cá nhân

1. **Luôn tỉnh táo, quan sát những việc bạn đang làm và sử dụng những phán đoán theo kinh nghiệm khi vận hành dụng cụ máy.** Không sử dụng dụng cụ máy khi bạn đang mệt mỏi hoặc chịu ảnh hưởng của ma túy, rượu hay thuốc. Chỉ một khoảng khắc không tập trung khi đang vận hành dụng cụ máy cũng có thể dẫn đến thương tích cá nhân nghiêm trọng.
2. **Sử dụng thiết bị bảo hộ cá nhân.** Luôn đeo thiết bị bảo vệ mắt. Các thiết bị bảo hộ như mặt nạ chống bụi, giày an toàn chống trượt, mũ bảo hộ hay thiết bị bảo vệ thính giác được sử dụng trong các điều kiện thích hợp sẽ giúp giảm thương tích cá nhân.
3. **Tránh vô tình khởi động dụng cụ máy. Đảm bảo công tắc ở vị trí OFF (tắt) trước khi nối nguồn điện và/hoặc bộ pin, cắm hoặc di chuyển dụng cụ máy.** Việc di chuyển dụng cụ máy khi đang đặt ngón tay ở vị trí công tắc hoặc cấp điện cho dụng cụ máy đang bật thường dễ gây ra tai nạn.
4. **Tháo tất cả các khóa hoặc cờ lê điều chỉnh trước khi bật dụng cụ máy.** Việc cờ lê hoặc khóa vẫn còn gắn vào bộ phận quay của dụng cụ máy có thể dẫn đến thương tích cá nhân.
5. **Không với quá cao.** Luôn giữ thăng bằng tốt và có chỗ để chân phù hợp. Điều này cho phép điều khiển dụng cụ máy tốt hơn trong những tình huống bất ngờ.
6. **Ăn mặc phù hợp. Không mặc quần áo rộng hay đeo đồ trang sức.** Giữ tóc và quần áo tránh xa các bộ phận chuyển động. Quần áo rộng, đồ trang sức hay tóc dài có thể mắc vào các bộ phận chuyển động.
7. **Nếu các thiết bị được cung cấp để kết nối các thiết bị thu gom và hút bụi, hãy đảm bảo chúng được kết nối và sử dụng hợp lý.** Việc sử dụng thiết bị thu gom bụi có thể làm giảm những mối nguy hiểm liên quan đến bụi.

8. **Không vì quen thuộc do thường xuyên sử dụng các dụng cụ mà cho phép bạn trở nên tự mãn và bỏ qua các nguyên tắc an toàn dụng cụ.** Một hành động bất cẩn có thể gây ra thương tích nghiêm trọng trong một phần của một giây.
9. **Luôn luôn mang kính bảo hộ để bảo vệ mắt khỏi bị thương khi đang sử dụng các dụng cụ máy.** Kính bảo hộ phải tuân thủ ANSI Z87.1 ở Mỹ, EN 166 ở Châu Âu, hoặc AS/NZS 1336 ở Úc/New Zealand. Tại Úc/New Zealand, theo luật pháp, bạn cũng phải mang mặt nạ che mặt để bảo vệ mặt.



Trách nhiệm của chủ lao động là bắt buộc người vận hành dụng cụ và những người khác trong khu vực làm việc cạnh đó phải sử dụng các thiết bị bảo hộ an toàn thích hợp.

Sử dụng và bảo quản dụng cụ máy

1. **Không dùng lực đối với dụng cụ máy.** Sử dụng đúng dụng cụ máy sẽ giúp thực hiện công việc tốt hơn và an toàn hơn theo giá trị định mức được thiết kế của dụng cụ máy đó.
2. **Không sử dụng dụng cụ máy nếu công tác không bật và tắt được dụng cụ máy đó.** Mọi dụng cụ máy không thể điều khiển được bằng công tắc đều rất nguy hiểm và phải được sửa chữa.
3. **Rút phích cắm ra khỏi nguồn điện và/hoặc tháo kết nối bộ pin khỏi dụng cụ máy, nếu có thể tháo rời trước khi thực hiện bất kỳ công việc điều chỉnh, thay đổi phụ tùng hay cất giữ dụng cụ máy nào.** Những biện pháp an toàn phòng ngừa này sẽ giảm nguy cơ vô tình khởi động dụng cụ máy.
4. **Cất giữ các dụng cụ máy không sử dụng ngoài tầm với của trẻ em và không cho bất kỳ người nào không có hiểu biết về dụng cụ máy hoặc các hướng dẫn này vận hành dụng cụ máy.** Dụng cụ máy sẽ rất nguy hiểm nếu được sử dụng bởi những người dùng chưa qua đào tạo.
5. **Bảo dưỡng dụng cụ máy và các phụ kiện.** Kiểm tra tình trạng lịch trực hoặc bó kẹp của các bộ phận chuyển động, hiện tượng nứt vỡ của các bộ phận và mọi tình trạng khác mà có thể ảnh hưởng đến hoạt động của dụng cụ máy. Nếu có hỏng hóc, hãy sửa chữa dụng cụ máy trước khi sử dụng. Nhiều tai nạn xảy ra là do không bảo quản tốt dụng cụ máy.
6. **Luôn giữ cho dụng cụ cất được sắc bén và sạch sẽ.** Những dụng cụ cất được bảo quản tốt có mép cắt sắc sẽ ít bị kẹt hơn và dễ điều khiển hơn.

- Sử dụng dụng cụ máy, phụ tùng và đầu dụng cụ cắt, v.v...** theo các hướng dẫn này, có tính đến điều kiện làm việc và công việc được thực hiện. Việc sử dụng dụng cụ máy cho các công việc khác với công việc dự định có thể gây nguy hiểm.
- Giữ tay cầm và bề mặt tay cầm khô, sạch, không dính dầu và mỡ.** Tay cầm trơn trượt và bề mặt tay cầm không cho phép xử lý an toàn và kiểm soát dụng cụ trong các tình huống bất ngờ.
- Khi sử dụng dụng cụ, không được đi giày tay lao động bằng vải, có thể bị vướng.** Việc đi giày tay lao động bằng vải vướng vào các bộ phận chuyển động có thể gây ra thương tích cá nhân.

Bảo dưỡng

- Đề nghị viên sửa chữa đủ trình độ bảo dưỡng dụng cụ máy của bạn và chỉ sử dụng các bộ phận thay thế đồng nhất.** Việc này sẽ đảm bảo duy trì được độ an toàn của dụng cụ máy.
- Tuân theo hướng dẫn dành cho việc bôi trơn và thay phụ tùng.**

GEB135-1

Cảnh Báo An toàn Đối Với Máy bắt vít

- Cầm dụng cụ máy bằng bề mặt kẹp cách điện khi thực hiện một thao tác trong đó bộ phận kẹp có thể tiếp xúc với dây dẫn hoặc dây của chính nó.** Bộ phận kẹp tiếp xúc với dây dẫn "có điện" có thể khiến các bộ phận kim loại bị hở của dụng cụ máy "có điện" và làm cho người vận hành bị điện giật.
- Luôn chắc chắn rằng bạn có chỗ tựa chân vững chắc.**
Đảm bảo rằng không có ai ở dưới khi dùng dụng cụ ở những vị trí trên cao.
- Cầm chắc dụng cụ.**
- Giữ tay tránh xa các bộ phận quay.**
- Không chạm vào mũi khoan hay vật gia công ngay sau khi vận hành; chúng có thể rất nóng và có thể gây bỏng da.**
- Luôn luôn giữ chặt phôi gia công bằng kim hoặc dụng cụ kẹp tương tự.**

LƯU GIỮ CÁC HƯỚNG DẪN NÀY.

⚠ CẢNH BÁO:

KHÔNG vì đã thoải mái hay quen thuộc với sản phẩm (có được do sử dụng nhiều lần) mà không tuân thủ nghiêm ngặt các quy định về an toàn dành cho sản phẩm này.

VIỆC DÙNG SAI hoặc không tuân theo các quy định về an toàn được nêu trong tài liệu hướng dẫn này có thể dẫn đến thương tích cá nhân nghiêm trọng.

MÔ TẢ CHỨC NĂNG

⚠ CẢNH BÁO:

- Phải luôn đảm bảo rằng dụng cụ đã được tắt điện và ngắt kết nối trước khi chỉnh sửa hoặc kiểm tra chức năng của dụng cụ.

Điều chỉnh chiều sâu

Đối với riêng Kiểu FS2700 (Hình 1)

Khi bạn muốn bắt các vít tự khoan, v.v... hãy điều chỉnh độ sâu như sau. Xoay đầu định vị để điều chỉnh độ sâu.

Điều chỉnh đầu định vị để tạo khoảng cách xấp xỉ 1 mm từ đỉnh nắp trước (phần làm việc cùng với đầu định vị) đến phần chân đầu ốc vít. Xoay tròn một vòng đầu định vị tương đương với thay đổi 1 mm chiều sâu. **(Hình 2 & Hình 3)**

Hoạt động công tắc (Hình 4)

⚠ CẢNH BÁO:

- Trước khi cắm điện vào dụng cụ, luôn luôn kiểm tra xem cần khởi động công tắc có hoạt động bình thường hay không và trả về vị trí "OFF" (TẮT) khi nhả ra.

Để khởi động dụng cụ, chỉ cần kéo cần khởi động công tắc. Tốc độ dụng cụ được giảm xuống bằng cách tăng lực ép lên cần khởi động công tắc. Nhả cần khởi động công tắc ra để dừng.

Để tiếp tục vận hành, hãy kéo cần khởi động công tắc và sau đó nhấn vào nút khóa.

Để dừng dụng cụ từ vị trí đã khóa, hãy kéo cần khởi động công tắc hết mức, sau đó nhả ra.

LƯU Ý:

- Ngay cả khi công tắc đang bật và motor đang chạy, đầu mũi cũng sẽ không quay cho đến khi nào bạn khớp đỉnh đầu mũi vào đầu vít và nhấn tới nhẹ để giải ly hợp.

Bật các đèn (Hình 5)

⚠ CẢNH BÁO:

- Đừng nhìn thẳng trực tiếp vào đèn hoặc nguồn sáng.
- Để tắt đèn, hãy kéo cần khởi động. Nhả cần khởi động để tắt đèn.

LƯU Ý:

- Đừng vài khô để lau bụi bẩn trên kính đèn. Cần thận trọng không được làm xước kính đèn, nếu không đèn có thể bị giảm độ sáng.

Hoạt động công tắc đảo chiều (Hình 6)

⚠ CẢNH BÁO:

- Luôn luôn kiểm tra hướng xoay trước khi vận hành.
- Chỉ sử dụng công tắc đảo chiều sau khi dụng cụ đã dừng hoàn toàn. Việc thay đổi hướng xoay trước khi dụng cụ dừng có thể làm hỏng dụng cụ.

Dụng cụ này có một công tắc đảo chiều để thay đổi chiều xoay. Di chuyển cần gạt công tắc đảo chiều sang vị trí ⇐ (mặt A) để xoay theo chiều kim đồng hồ hoặc vị trí ⇒ (mặt B) để xoay ngược chiều kim đồng hồ.

Điều chỉnh lực vặn xiết

Khi bạn muốn bắt các vít máy, vít bắt gỗ, bu-lông lục giác, v.v... với lực vặn xác định sẵn, hãy điều chỉnh lực vặn xiết như sau.

Lực vặn xiết có thể được điều chỉnh bằng cách xoay vòng điều chỉnh. Lực xoay được tăng lên bằng các xoay vòng điều chỉnh theo chiều mũi tên và được giảm xuống bằng cách xoay theo chiều ngược lại. Cần chỉnh số 1 trên vòng điều chỉnh với vạch chuẩn trên vỏ hộp số. Khoan thử một vít vào vật liệu hoặc một miếng vật liệu mẫu. Nếu lực vặn xiết không phù hợp với ốc vít đó, hãy tiếp tục điều chỉnh cho đến khi nào có được lực phù hợp. **(Hình 7)**

⚠ CẢNH BÁO:

- Vòng điều chỉnh chỉ được phép xoay trong phạm vi được đánh số. Không được It should not be forced beyond this range.

Móc treo (Hình 8)

Móc treo rất thuận tiện cho việc treo tạm dụng cụ.

LẮP RÁP

⚠ CẢN TRỌNG:

- Luôn luôn đảm bảo rằng dụng cụ đã được tắt và tháo phích cắm trước khi dùng dụng cụ thực hiện bất cứ công việc nào.

Việc lắp đặt hoặc tháo gỡ đầu mũi

Đối với Kiểu FS2700

Để tháo đầu mũi ra, đầu tiên kéo nắp trước ra khỏi và sau đó kéo mạnh đầu mũi ra ngoài. (Hình 9)

Để gắn đầu mũi vào, hãy lắp nó vào trong dụng cụ hết mức có thể và sau đó thay nắp trước.

Đối với Kiểu FS2701

Để lắp đặt đầu mũi, kéo trụ ngoài theo hướng mũi tên và đẩy đầu mũi vào trụ ngoài hết mức có thể. Sau đó nhả trụ ngoài ra để giữ chặt lại đầu mũi.

Để tháo mũi vít, kéo trụ ngoài theo hướng mũi tên và kéo mạnh mũi vít ra. (Hình 10)

LƯU Ý:

- Nếu mũi vít không được đẩy đủ sâu vào trụ ngoài, trụ ngoài sẽ không trở lại vị trí ban đầu và không giữ chặt được mũi vít. Trong trường hợp này, cố lắp lại mũi vít theo các hướng dẫn ở trên.
- Sau khi đẩy mũi vít vào, đảm bảo rằng mũi vít được giữ chặt. Nếu mũi vít rời ra, đừng sử dụng nó nữa.

VẬN HÀNH

Gắn vít trên điểm đầu mũi và đặt điểm đầu vít lên bề mặt gia công cần được gắn chặt. Nhấn dụng cụ và bắt đầu. Rút dụng cụ ra khi vừa ngắt ly hợp. Sau đó nhả cần khởi động công tắc. (Hình 11 & Hình 12)

⚠ CẢN TRỌNG:

- Khi gắn khớp vít lên đỉnh đầu mũi, cẩn thận không đẩy vào vít. Nếu vít bị đẩy vào, khớp ly hợp sẽ gài và vít sẽ quay bất thình lình. Điều này có thể gây hư hỏng vật gia công hoặc gây thương tích.
- Đảm bảo rằng đầu mũi được lắp thẳng đứng vào đầu vít, nếu không vít và/hoặc mũi vận có thể bị hư hỏng.

BẢO TRÌ

⚠ CẢN TRỌNG:

- Hãy luôn chắc chắn rằng dụng cụ đã được tắt và ngắt kết nối trước khi cố gắng thực hiện việc kiểm tra hay bảo dưỡng.

CHÚ Ý:

- Không bao giờ dùng xăng, ét xăng, dung môi, cồn hoặc hóa chất tương tự. Có thể xảy ra hiện tượng mất màu, biến dạng hoặc nứt vỡ.

Để đảm bảo AN TOÀN và TIN CẬY của sản phẩm, việc sửa chữa hoặc bất cứ thao tác bảo trì, điều chỉnh nào đều phải được thực hiện bởi các Trung tâm Dịch vụ Được Ủy quyền của Makita (Makita Authorized Service Center), luôn sử dụng các phụ tùng thiết bị thay thế của Makita.

PHỤ KIỆN TỰY CHỌN

⚠ CẢN TRỌNG:

- Các phụ kiện hoặc phụ tùng gắn thêm này được khuyến cáo sử dụng với dụng cụ Makita của bạn theo như quy định trong hướng dẫn này. Việc sử dụng bất cứ phụ kiện hoặc phụ tùng gắn thêm nào khác đều có thể gây ra rủi ro thương tích cho người. Chỉ sử dụng phụ kiện hoặc phụ tùng gắn thêm cho mục đích đã quy định sẵn của chúng.

Nếu bạn cần hỗ trợ để biết thêm chi tiết về những phụ kiện này, hãy liên hệ với Trung tâm Dịch vụ của Makita tại địa phương của bạn.

- Đầu mũi Phillip
- Mũi đầu tuýp từ tính
- Nắp trước

LƯU Ý:

- Một vài mục trong danh sách có thể được bao gồm trong gói dụng cụ làm phụ kiện tiêu chuẩn. Các mục này ở mỗi quốc gia có thể khác nhau.

คำอธิบายของมุมมองทั่วไป

- | | | |
|------------------|----------------------------|--------------|
| 1. ตัวยึด | 5. ดวงไฟ | 9. ขอบเกี่ยว |
| 2. ผาหน้า | 6. ก้านสวิตช์เปลี่ยนทิศทาง | 10. ดอกสว่าน |
| 3. สวิตช์สั่งงาน | 7. แหวนปรับ | 11. ปลอก |
| 4. ปุ่มล๊อค | 8. ลูกศรชี้ | |

ข้อมูลจำเพาะ

รุ่น	FS2700	FS2701
ความสามารถในการเจาะ	สกรูหัวปหล่อ	6 มม.
	สกรูยึดโลหะ	8 มม.
	สกรูยึดไม้	6.2 มม.
ความเร็วขณะหมุนเปล่า (รอบต่อนาที)	0 - 2,500	
ความยาวโดยรวม	301 มม.	283 มม.
น้ำหนักสุทธิ	1.8 กก.	1.7 กก.
มาตรฐานความปลอดภัย	☐/II	

- เนื่องจากการค้นคว้าวิจัยและพัฒนาอย่างต่อเนื่อง ข้อมูลจำเพาะในเอกสารฉบับนี้อาจเปลี่ยนแปลงได้โดยไม่ต้องแจ้งให้ทราบล่วงหน้า
- ข้อมูลจำเพาะอาจแตกต่างกันไปในแต่ละประเทศ
- น้ำหนักตามข้อบังคับของ EPTA 01/2014

END201-7

GEA012-2

สัญลักษณ์

ต่อไปนี้เป็นสัญลักษณ์ที่ใช้สำหรับอุปกรณ์

โปรดศึกษาความหมายของสัญลักษณ์ให้เข้าใจก่อนการใช้งาน



.....อ่านคู่มือการใช้งาน



.....ฉนวนสองชั้น

จุดประสงค์ของเครื่องมือ

เครื่องมือนี้ใช้สำหรับขันสกรูลงในไม้ โลหะ และพลาสติก

ENE033-1

แหล่งจ่ายไฟ

ควรเชื่อมต่อเครื่องมือกับแหล่งจ่ายไฟที่มีแรงดันไฟฟ้าตามที่ระบุไว้

ในป้ายประจำเครื่อง และต้องใช้ไฟฟ้ากระแสสลับแบบเฟสเดียวเท่านั้น อุปกรณ์นี้ได้รับการหุ้มฉนวนสองชั้นและสามารถใช้กับปลั๊กไฟที่ไม่มีสายดินได้

ENF002-2

คำเตือนด้านความปลอดภัยของเครื่องมือไฟฟ้าทั่วไป

⚠ คำเตือน: โปรดอ่านคำเตือนด้านความปลอดภัย คำแนะนำ ภาพประกอบ และข้อมูลจำเพาะต่างๆ ที่ให้มากับเครื่องมือไฟฟ้านี้อย่างละเอียด การไม่ปฏิบัติตามคำแนะนำดังต่อไปนี้อาจส่งผลให้เกิดไฟฟ้าช็อต ไฟไหม้ และ/หรือได้รับบาดเจ็บอย่างร้ายแรงได้

เก็บรักษาคำเตือนและคำแนะนำทั้งหมดไว้เป็นข้อมูลอ้างอิงในอนาคต

คำว่า "เครื่องมือไฟฟ้า" ในคำเตือนนี้หมายถึงเครื่องมือไฟฟ้า (มีสาย) ที่ทำงานโดยใช้กระแสไฟฟ้าหรือเครื่องมือไฟฟ้า (ไร้สาย) ที่ทำงานโดยใช้แบตเตอรี่

ความปลอดภัยของพื้นที่ทำงาน

- ดูเขตพื้นที่ทำงานให้มีความสะอาดและมีแสงไฟสว่าง พื้นที่กระเบื้องกระเบื้องหรือมีดที่บอบบางนำไปสู่การเกิดอุบัติเหตุได้
- อย่าใช้งานเครื่องมือไฟฟ้าในสภาพที่อาจเกิดการระเบิด เช่น ในสถานที่ที่มีของเหลว ก๊าซ หรือฝุ่นผงที่มีคุณสมบัติไวไฟ เครื่อง

มือไฟฟ้าอาจสร้างประกายไฟและจุดชนวนฝุ่นผงหรือก๊าซติด
กล่าว

3. **ดูแลไม่ให้มีเด็กฯ หรือบุคคลอื่นอยู่ในบริเวณที่กำลังใช้เครื่องมือ
ไฟฟ้า** การมีสิ่งรบกวนสมาธิอาจทำให้คุณสูญเสียการควบคุม

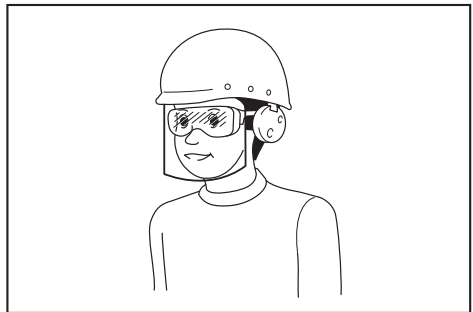
ความปลอดภัยด้านไฟฟ้า

1. **ปลั๊กของเครื่องมือไฟฟ้าต้องพอดีกับตัวรับ อย่าดัดแปลงปลั๊ก
ไม่ว่ากรณีใดๆ** อย่าใช้ปลั๊กอะแดปเตอร์กับเครื่องมือไฟฟ้าที่ต่อ
สายดิน ปลั๊กที่ไม่ถูกดัดแปลงและตัวรับที่เข้ากันพอดีจะช่วยลด
ความเสี่ยงของการเกิดไฟฟ้าช็อต
2. **ระวังอย่าให้ร่างกายสัมผัสกับพื้นผิวที่ต่อสายดิน เช่น ท่อ เครื่อง
นำความร้อน เตาหุงต้ม และตู้เย็น** มีความเสี่ยงที่จะเกิดไฟฟ้า
ช็อตสูงขึ้น หากร่างกายของคุณสัมผัสกับพื้น
3. **อย่าให้เครื่องมือไฟฟ้าถูกน้ำหรืออยู่ในสภาพเปียกชื้น** น้ำที่ไหล
เข้าไปในเครื่องมือไฟฟ้าจะเพิ่มความเสี่ยงของการเกิดไฟฟ้า
ช็อต
4. **อย่าใช้สายไฟอย่างไม่เหมาะสม อย่าใช้สายไฟเพียงอก ดึง หรือ
ถอดปลั๊กเครื่องมือไฟฟ้า** เก็บสายไฟให้ห่างจากความร้อน น้ำมัน ของมีคม หรือชิ้นส่วนที่เคลื่อนที่ สายที่ชำรุดหรือ
พันกันจะเพิ่มความเสี่ยงของการเกิดไฟฟ้าช็อต
5. **ขณะที่ใช้งานเครื่องมือไฟฟ้านอกอาคาร ควรใช้สายต่อพ่วงที่
เหมาะสมกับภายนอกอาคาร** การใช้สายที่เหมาะสมกับงาน
ภายนอกอาคารจะลดความเสี่ยงของการเกิดไฟฟ้าช็อต
6. **หากต้องใช้งานเครื่องมือไฟฟ้าในสถานที่เปียกชื้น ให้ใช้อุปกรณ์
ป้องกันกระแสไฟรั่ว (RCD)** การใช้ RCD จะลดความเสี่ยงของ
การเกิดไฟฟ้าช็อต
7. **แนะนำให้ใช้แหล่งจ่ายไฟผ่าน RCD ที่มีกระแสไฟรั่วในอัตราไม่
เกิน 30 mA เสมอ**
8. **เครื่องมือไฟฟ้าอาจสร้างสนามแม่เหล็ก (EMF) ที่ไม่เป็น
อันตรายต่อผู้ใช้** อย่างไรก็ตาม ผู้ใช้ที่ใส่เครื่องกระตุ้นหัวใจและ
อุปกรณ์ทางการแพทย์ที่คล้ายกันนั้นควรติดต่อผู้ผลิตอุปกรณ์
และ/หรือแพทย์เพื่อรับคำแนะนำก่อนใช้งานเครื่องมือไฟฟ้านี้
9. **อย่าจับปลั๊กไฟด้วยมือที่เปียก**
10. **หากสายไฟชำรุด โปรดให้ผู้ผลิตหรือตัวแทนของผู้ผลิตเปลี่ยน
ให้ เพื่อหลีกเลี่ยงอันตราย**

ความปลอดภัยส่วนบุคคล

1. **ให้ระมัดระวังและมึสติอยู่เสมอขณะใช้งานเครื่องมือไฟฟ้า** อย่า
ใช้งานเครื่องมือไฟฟ้าในขณะที่คุณกำลังเหนื่อย หรือในสภาพที่
มีนมาจากยาเสพติด เครื่องดื่ม แอลกอฮอล์ หรือการใช้ยา ช่วง
เวลาที่ขาดความระมัดระวังเมื่อกำลังใช้งานเครื่องมือไฟฟ้าอาจ
ทำให้ได้รับบาดเจ็บร้ายแรง
2. **ใช้อุปกรณ์ป้องกันส่วนบุคคล สวมแว่นตาป้องกันเสมอ** อุปกรณ์
ป้องกัน เช่น หน้ากากกันฝุ่น รองเท้านิรภัยกันลื่น หมวก
นิรภัย หรือเครื่องป้องกันการใช้ในที่ชื้นในสภาพที่เหมาะสมจะ
ช่วยลดการบาดเจ็บ

3. **ป้องกันไม่ให้เกิดการเปิดใช้งานโดยไม่ตั้งใจ ตรวจสอบให้แน่ใจ
ว่าสวิตช์ปิดอยู่ก่อนที่จะเชื่อมต่อกับแหล่งจ่ายไฟ และ/หรือชุด
แบตเตอรี่ รวมทั้งตรวจสอบก่อนการยกหรือเคลื่อนย้ายเครื่อง
มือ** การถอดนิ้วมือบริเวณสวิตช์เพื่อถือเครื่องมือไฟฟ้า หรือการ
ชาร์จไฟเครื่องมือไฟฟ้าในขณะที่เปิดสวิตช์อยู่อาจนำไปสู่การ
เกิดอุบัติเหตุ
4. **นำกฎฉบับปรับตั้งหรือปรับออกก่อนที่จะเปิดเครื่องมือ
ไฟฟ้า** ประแจหรือกุญแจที่เสียบค้างอยู่ในชิ้นส่วนที่หมุนได้ของ
เครื่องมือไฟฟ้าอาจทำให้ได้รับบาดเจ็บ
5. **อย่าทำงานในระยะเวลาที่สูดเอื้อม จัดทำการย่นและการทรงตัวให้
เหมาะสมตลอดเวลา** เพราะจะทำให้ควบคุมเครื่องมือไฟฟ้าได้ดี
ขึ้นในสถานการณ์ที่ไม่คาดคิด
6. **แต่งกายให้เหมาะสม** อย่าสวมเครื่องแต่งกายที่หลวมเกิน
ไป หรือสวมเครื่องประดับ **ดูแลไม่ให้เส้นผมและเสื้อผ้าอยู่ใกล้
ชิ้นส่วนที่เคลื่อนที่** เสื้อผ้ารุ่มร่าม เครื่องประดับ หรือผมที่มี
ความยาวอาจเข้าไปติดในชิ้นส่วนที่เคลื่อนที่
7. **หากมีการจัดอุปกรณ์สำหรับดูดและจัดเก็บฝุ่นไว้ในสถานที่ ให้
ตรวจสอบว่าได้เชื่อมต่อกับและใช้งานอุปกรณ์นั้นอย่างเหมาะสม** การใช้เครื่องดูดและจัดเก็บฝุ่นจะช่วยลดอันตรายที่เกิดจาก
ฝุ่นผงได้
8. **อย่าให้ความสำคัญแยกจากการใช้งานเครื่องมือเป็นประจำทำให้คุณ
ทำตัวตามสบายและละเลยหลักการเพื่อความปลอดภัยในการใช้
เครื่องมือ** การกระทำที่ไม่ระมัดระวังอาจทำให้เกิดการบาดเจ็บ
ร้ายแรงภายในเสี้ยววินาที
9. **สวมใส่แว่นครอบตาชนิดนิรภัยเพื่อปกป้องดวงตาของคุณจากการ
บาดเจ็บเมื่อใช้เครื่องมือไฟฟ้า** แว่นครอบตาจะต้องได้
มาตรฐาน ANSI Z87.1 ในสหรัฐอเมริกา, EN 166 ใน
ยุโรป หรือ AS/NZS 1336 ในออสเตรเลีย/นิวซีแลนด์ ใน
ออสเตรเลีย/นิวซีแลนด์ จะต้องสวมเกราะป้องกันใบหน้าเพื่อปก
ป้องใบหน้าของคุณอย่างถูกต้องตามกฎหมายด้วย



ผู้ว่าจ้างมีหน้าที่รับผิดชอบในการบังคับผู้ใช้งานเครื่องมือและบุคคลอื่น ๆ ที่อยู่ในบริเวณที่ปฏิบัติงานให้ใช้อุปกรณ์ป้องกันที่เหมาะสม

การใช้และดูแลเครื่องมือไฟฟ้า

1. **อย่าฝืนใช้เครื่องมือไฟฟ้า ใช้เครื่องมือไฟฟ้าที่เหมาะสมกับการใช้งานของคุณ** เครื่องมือไฟฟ้าที่เหมาะสมจะทำให้ได้งานที่มีประสิทธิภาพและปลอดภัยกว่าตามขีดความสามารถของเครื่องที่ได้รับการออกแบบมา
2. **อย่าใช้เครื่องมือไฟฟ้า หากสวิตช์ไม่สามารถเปิดปิดได้** เครื่องมือไฟฟ้าที่ควบคุมด้วยสวิตช์ไม่ได้เป็นสิ่งอันตรายและต้องได้รับการซ่อมแซม
3. **ถอดปลั๊กจากแหล่งจ่ายไฟ และ/หรือขุดแบตเตอรี่ออกจากเครื่องมือไฟฟ้าก่อนทำการปรับตั้ง เปลี่ยนอุปกรณ์เสริม หรือจัดเก็บเครื่องมือไฟฟ้า** วิธีการป้องกันด้านความปลอดภัยดังกล่าวจะช่วยลดความเสี่ยงในการเปิดใช้งานเครื่องมือไฟฟ้าโดยไม่ตั้งใจ
4. **จัดเก็บเครื่องมือไฟฟ้าที่ไม่ได้ใช้งานให้ห่างจากมือเด็ก และอย่าอนุญาตให้บุคคลที่ไม่คุ้นเคยกับเครื่องมือไฟฟ้าหรือคำแนะนำเหล่านี้ซึ่งงานเครื่องมือไฟฟ้า** เครื่องมือไฟฟ้าจะเป็นอันตรายเมื่ออยู่ในมือของผู้ที่ไม่ได้รับการฝึกอบรม
5. **บำรุงรักษาเครื่องมือไฟฟ้าและอุปกรณ์เสริม ตรวจสอบการประกอบที่ไม่ถูกต้องหรือการเชื่อมต่อของชิ้นส่วนที่เคลื่อนที่ การแตกหักของชิ้นส่วน หรือสภาพอื่นๆ ที่อาจส่งผลกระทบต่อการทำงานของเครื่องมือไฟฟ้า หากมีความเสียหาย ให้นำเครื่องมือไฟฟ้าไปซ่อมแซมก่อนการใช้งาน** อุบัติเหตุจำนวนมากเกิดจากการดูแลรักษาเครื่องมือไฟฟ้าอย่างไม่ถูกต้อง
6. **ทำความสะอาดเครื่องมือตัดและลับให้คมอยู่เสมอ** เครื่องมือการตัดที่มีการดูแลอย่างถูกต้องและมีขอบการตัดคมมักจะแก้ปัญหาตัดขัดน้อยและควบคุมได้ง่ายกว่า
7. **ใช้เครื่องมือไฟฟ้า อุปกรณ์เสริม และวัสดุสิ้นเปลือง ชลช ตามคำแนะนำดังกล่าว** พิจารณาสภาพการทำงานและงานที่จะลงมือทำ การใช้เครื่องมือไฟฟ้าเพื่อทำงานอื่นนอกเหนือจากที่กำหนดไว้อาจทำให้เกิดอันตราย
8. **ดูแลมือจับและบริเวณมือจับให้แห้ง สะอาด และไม่มันมันและจาระบีเปื้อน** มือจับและบริเวณมือจับที่ลื่นจะทำให้ไม่สามารถจับและควบคุมเครื่องมือได้อย่างปลอดภัยในสถานการณ์ที่ไม่คาดคิด
9. **ขณะใช้งานเครื่องมือ อย่าสวมใส่ถุงมือผ้าที่อาจเข้าไปติดในเครื่องมือได้** หากถุงมือผ้าเข้าไปติดในชิ้นส่วนที่กำลังเคลื่อนที่อยู่ อาจทำให้ได้รับบาดเจ็บ

การซ่อมบำรุง

1. **นำเครื่องมือไฟฟ้าเข้ารับบริการช่างซ่อมที่ผ่านการรับรอง** โดยใช้อะไหล่แบบเดียวกันเท่านั้น เพราะจะทำให้การใช้เครื่องมือไฟฟ้ามีความปลอดภัย
2. **ปฏิบัติตามคำแนะนำในการหล่อลื่นและการเปลี่ยนอุปกรณ์เสริม**

คำเตือนด้านความปลอดภัยสำหรับไขควง

1. **จับเครื่องมือไฟฟ้าที่พื้นผิวเมื่อจับหุ้มฉนวนขณะใช้งาน** เนื่องจากสลักกันช้อาจสัมผัสกับสายไฟที่ซ่อนอยู่หรือสายไฟของเครื่องมือเอง สลักกันช้อที่สัมผัสกับสายไฟที่ “มีกระแสไฟฟ้าไหลผ่าน” อาจทำให้ชิ้นส่วนโลหะของเครื่องมือไฟฟ้า “มีกระแสไฟฟ้าไหลผ่าน” และทำให้ผู้ใช้งานถูกไฟฟ้าช็อต
2. **ตรวจสอบบริเวณที่ยืนให้มีความมั่นคงเสมอ** หากใช้งานเครื่องมือในพื้นที่สูง ระวังอย่าให้มือคุณอยู่ด้านล่าง
3. **จับเครื่องมือให้แน่น**
4. **ระวังอย่าให้มือสัมผัสกับชิ้นส่วนที่หมุนได้**
5. **ห้ามสัมผัสกับดอกฉลุหรือชิ้นงานทันทีที่ทำงานเสร็จ** เนื่องจากดอกฉลุหรือชิ้นงานอาจมีความร้อนสูงและลวกผิวหนังของคุณได้
6. **ยึดชิ้นงานด้วยปากกาจับงาน หรืออุปกรณ์ยึดที่คล้ายคลึงกันเสมอ**

ปฏิบัติตามคำแนะนำเหล่านี้

⚠ คำเตือน:

อย่าให้ความไม่ระมัดระวังหรือความคุ้นเคยกับผลิตภัณฑ์ (จากการใช้งานซ้ำหลายครั้ง) อยู่เหนือการปฏิบัติตามกฎเกณฑ์ด้านความปลอดภัยในการใช้งานผลิตภัณฑ์อย่างเคร่งครัด การใช้งานอย่างไม่เหมาะสมหรือการไม่ปฏิบัติตามกฎเกณฑ์ด้านความปลอดภัยในคู่มือการใช้งานนี้อาจทำให้ได้รับบาดเจ็บรุนแรง

คำอธิบายการทำงาน

⚠ ข้อควรระวัง:

- ตรวจสอบให้แน่ใจว่าสวิตช์เครื่องมืออยู่ในตำแหน่งปิดเครื่อง และถอดปลั๊กเครื่องมือออกก่อนปรับตั้งหรือตรวจสอบการทำงานของเครื่องมือ

การปรับความลึก

สำหรับรุ่น FS2700 เท่านั้น (ภาพที่ 1)

เมื่อคุณต้องการจะขันสกรูหัวป้อย ชลช ให้ปรับความลึกดังต่อไปนี้ หมุนตัวยึดเพื่อปรับความลึก

ปรับตัวยึดเพื่อให้มีระยะห่างประมาณ 1 มม. จากส่วนปลายของฝาปิดด้านหน้า (ซึ่งทำงานร่วมกับตัวยึด) กับฐานของหัวสกรู การหมุนตัวยึดหนึ่งรอบจะเป็นการเปลี่ยนระดับความลึก 1 มม. (ภาพที่ 2 และภาพที่ 3)

การทำงานของสวิตช์ (ภาพที่ 4)

⚠ ข้อควรระวัง:

- ก่อนสลับปลั๊กเครื่องมือ ให้ตรวจสอบว่าสวิตช์สั่งงานสามารถทำงานได้อย่างถูกต้อง และกลับไปยังตำแหน่ง “OFF” เมื่อป้อย

เปิดใช้เครื่องมือโดยดึงสวิตช์สั่งงาน ความเร็วเครื่องมือจะเพิ่มขึ้น เมื่อออกแรงกดที่สวิตช์สั่งงาน ปลดสวิตช์สั่งงานเพื่อหยุดทำงาน ถ้าต้องการใช้งานอย่างต่อเนื่อง ดึงสวิตช์สั่งงานและกดปุ่มล๊อค ถ้าต้องการเลิกใช้งานเครื่องมือในตำแหน่งล๊อค ให้ดึงสวิตช์สั่งงาน จนสุด จากนั้นปลดสวิตช์

หมายเหตุ:

- แม้ว่าจะเปิดสวิตช์และมอเตอร์หมุนอยู่ ดอกไขควงจะยังไม่หมุน จนกว่าคุณจะทำดอกไขควงเข้ากับหัวสกรูแล้วกดเพื่อให้คลัทซ์ที่ทำงาน

การเปิดดวงไฟ (ภาพที่ 5)

⚠ ข้อควรระวัง:

- อย่ามองเข้าไปในดวงไฟหรือจ้องดูแหล่งกำเนิดแสงโดยตรง เมื่อต้องการเปิดไฟ ให้ดึงสวิตช์สั่งงาน ปลดสวิตช์สั่งงานเพื่อปิดไฟ

หมายเหตุ:

- ใช้ผ้าแห้งเพื่อเช็ดสิ่งสกปรกออกจากเลนส์ของดวงไฟ ระวังอย่าขีดข่วนเลนส์ของดวงไฟ ไม่เช่นนั้น อาจทำให้ส่องสว่างได้น้อยลง

การทำงานของสวิตช์เปลี่ยนทิศทาง (ภาพที่ 6)

⚠ ข้อควรระวัง:

- ตรวจสอบทิศทางการหมุนก่อนการใช้งานเสมอ
- ใช้สวิตช์เปลี่ยนทิศทางหลังเครื่องมือหยุดสนิทเท่านั้น การเปลี่ยนทิศทางการหมุนก่อนเครื่องมือหยุดสนิทอาจทำให้เครื่องมือเสียหายได้

เครื่องมือนี้มีสวิตช์เปลี่ยนทิศทาง เพื่อใช้เปลี่ยนทิศทางการหมุน ปั่นก้านสวิตช์เปลี่ยนทิศทางไปที่ตำแหน่ง ◀ (ด้าน A) สำหรับการหมุนตามเข็มนาฬิกา หรือตำแหน่ง ▶ (ด้าน B) สำหรับการหมุนทวนเข็มนาฬิกา

การปรับแรงบิดขั้นแน่น

เมื่อต้องการขันสกรูยึดโลหะ สกรูยึดไม้ สลักเกลียวหกเหลี่ยม ฯลฯ ด้วยแรงบิดที่ตั้งไว้ล่วงหน้า ให้ปรับตั้งแรงบิดขั้นแน่นดังนี้

สามารถปรับแรงบิดขั้นแน่นได้โดยการหมุนหวนปรับ สามารถเพิ่มแรงบิดได้โดยการหมุนหวนปรับไปตามลูกศรและลดแรงบิดไปยังฝั่งตรงข้าม ตั้งหวนปรับให้หมายเลข 1 ตรงกับเข็มชี้บนกล่องเกียร์ ขันสกรูเข้าชิ้นงานหรือวัสดุ หากแรงบิดขั้นแน่นไม่เหมาะสมกับสกรู ให้ปรับใหม่จนกระทั่งเหมาะสม (ภาพที่ 7)

⚠ ข้อควรระวัง:

- ควรหมุนหวนปรับแต่ในช่วงตัวเลขเท่านั้น ไม่ควรฝืนหมุนเกินช่วงดังกล่าว

ขอเกี่ยว (ภาพที่ 8)

ขอเกี่ยวให้ความสะดวกสำหรับการแขวนเครื่องมือไว้ชั่วคราว

การประกอบ

⚠ ข้อควรระวัง:

- ตรวจสอบให้แน่ใจว่าสวิตช์เครื่องมืออยู่ในตำแหน่งปิดเครื่อง และถอดปลั๊กเครื่องมือนอกก่อนดำเนินการใดๆ กับเครื่องมือ

การติดตั้งหรือถอดดอกไขควง

สำหรับรุ่น FS2700

วิธีการถอดดอกไขควง ให้ดึงฝาหน้าออกแล้วดึงดอกไขควงออกมาตรงๆ (ภาพที่ 9)

วิธีการติดตั้งดอกไขควง ให้ดันดอกไขควงเข้าไปในเครื่องมือจนสุดแล้วใส่ฝาหน้ากลับที่เดิม

สำหรับรุ่น FS2701

เมื่อต้องการติดตั้งดอกไขควง ให้ดึงปลอกตามทิศทางลูกศร และใส่ดอกไขควงลงในปลอกจนสุด จากนั้นปล่อยปลอกให้ยึดดอกไขควง เมื่อต้องการถอดดอกไขควง ให้ดึงปลอกตามทิศทางลูกศรและดึงดอกไขควงออกแรงๆ (ภาพที่ 10)

หมายเหตุ:

- หากใส่ดอกไขควงลงในปลอกล็อกไม่เพียงพอ ปลอกจะไม่กลับคืนสู่ตำแหน่งเดิม และดอกไขควงจะไม่ถูกยึดแน่น ในกรณีนี้ ให้ลองใส่ดอกไขควงลงไปอีกครึ่งตามคำแนะนำด้านบน
- หลังจากที่ใส่ดอกไขควงแล้ว ตรวจสอบให้แน่ใจว่าดอกไขควงยึดแน่นดีแล้ว หากดอกไขควงหลุดออกมา ห้ามนำไปใช้งาน

การใช้งาน

ใส่สกรูไว้ที่ดอกไขควงแล้วนำไปจอบกับพื้นผิวของชิ้นงานที่ต้องการจะยึด กดเครื่องมือลงเข้ากับชิ้นงานแล้วเริ่มขัน ดึงเครื่องมือออกทันทีเมื่อคลัทซ์ที่ตัดแล้วปลดสวิตช์สั่งงาน (ภาพที่ 11 และภาพที่ 12)

⚠ ข้อควรระวัง:

- ตอนที่ใส่สกรูเข้ากับดอกไขควง ระวังอย่ากดดอกไขควงเข้ากับสกรู มิฉะนั้นสกรูอาจจะหมุนในทันที ซึ่งอาจทำให้ชิ้นงานเสียหายหรือก่อให้เกิดอาการบาดเจ็บได้
- ตรวจสอบให้แน่ใจว่าวางดอกไขควงตรงกับหัวสกรู ไม่เช่นนั้น สกรูและ/หรือดอกไขควงอาจเสียหายได้

การบำรุงรักษา

⚠ ข้อควรระวัง:

- ตรวจสอบให้แน่ใจว่าได้ปิดสวิตช์เครื่องมือและถอดปลั๊กออกก่อนทำการตรวจสอบหรือบำรุงรักษา

ข้อสังเกต:

- อย่าใช้น้ำมันเชื้อเพลิง เบนซิน ทินเนอร์ แอลกอฮอล์ หรือวัสดุประเภทเดียวกัน เนื่องจากอาจทำให้สีซีดจาง เสียรูป หรือแตก ร้าวได้

เพื่อความปลอดภัยและความน่าเชื่อถือของผลิตภัณฑ์ ควรให้ศูนย์บริการที่ผ่านการรับรองจาก Makita เป็นผู้ดำเนินการซ่อมแซม ตรวจสอบและเปลี่ยนแปรงคาร์บอน บำรุงรักษา และทำการปรับตั้งอื่นๆ นอกจากนี้ให้ใช้อะไหล่ของแท้จาก Makita เสมอ

อุปกรณ์เสริม

⚠ ข้อควรระวัง:

- ขอแนะนำให้ใช้เฉพาะอุปกรณ์เสริมหรืออุปกรณ์ต่อพ่วงเหล่านี้กับเครื่องมือ Makita ที่ระบุในคู่มือ การใช้อุปกรณ์เสริมหรืออุปกรณ์ต่อพ่วงอื่นๆ อาจมีความเสี่ยงที่จะได้รับบาดเจ็บ ใช้อุปกรณ์เสริมหรืออุปกรณ์ต่อพ่วงตามวัตถุประสงค์ที่ระบุไว้เท่านั้น

หากคุณต้องการทราบรายละเอียดเกี่ยวกับอุปกรณ์เสริมเหล่านี้ โปรดสอบถามศูนย์บริการ Makita ใกล้บ้านคุณ

- ดอกไขควงปากแฉก
- ดอกไขควงหัวบ็อกซ์แม่เหล็ก
- ฝาหน้า

หมายเหตุ:

- อุปกรณ์บางอย่างในรายการเป็นอุปกรณ์เสริมมาตรฐานที่มีมาให้พร้อมกับชุดเครื่องมือ ซึ่งอาจแตกต่างกันไปในแต่ละประเทศ

Makita Corporation

3-11-8, Sumiyoshi-cho,

Anjo, Aichi 446-8502 Japan

www.makita.com

884918B378

TRD