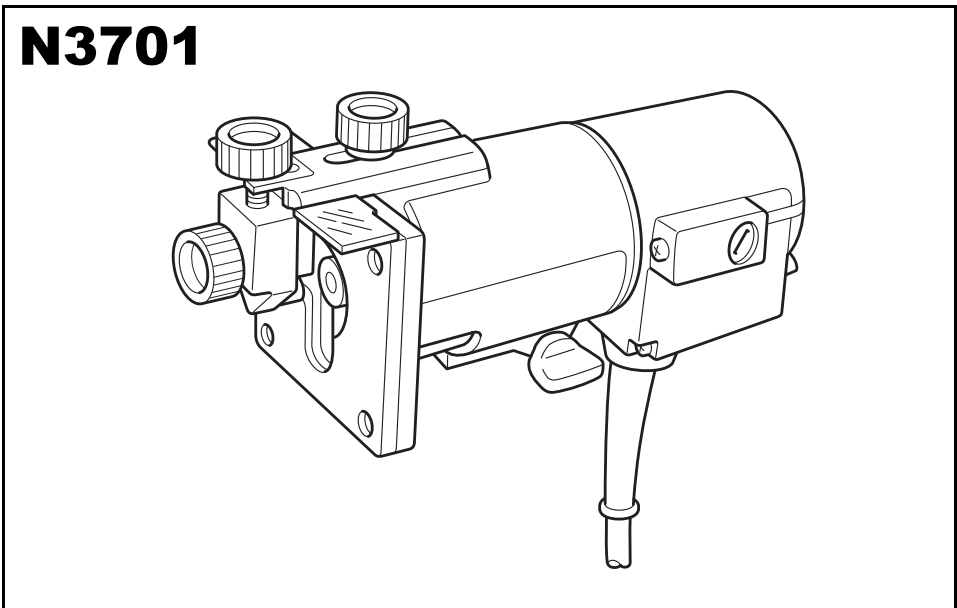
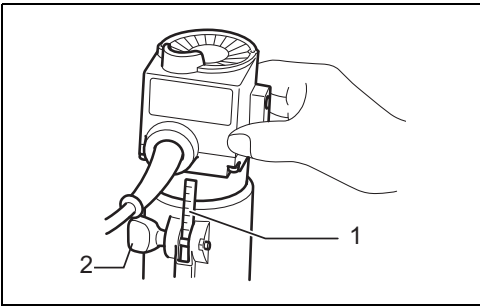




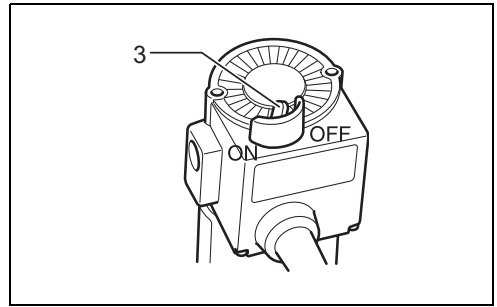
GB	Trimmer	Instruction manual
ID	Mesin Profil	Petunjuk penggunaan
VI	Máy Đánh Cạnh Cầm Tay Hoạt Động Bằng Động Cơ Điện	Tài liệu hướng dẫn
TH	เครื่องคลุกลายไม้ไฟฟ้า	คู่มือการใช้งาน





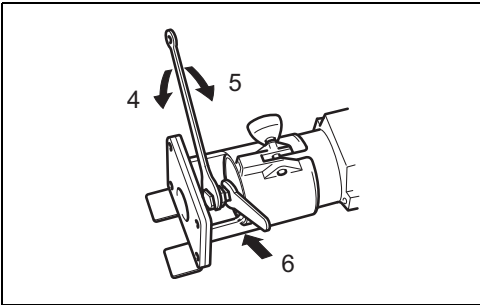
1

007107



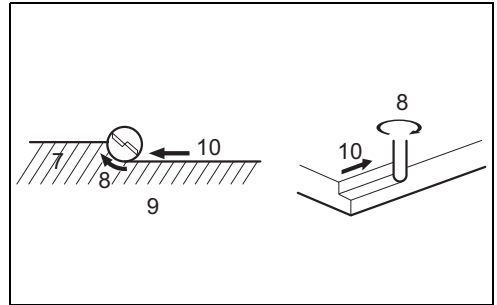
2

007108



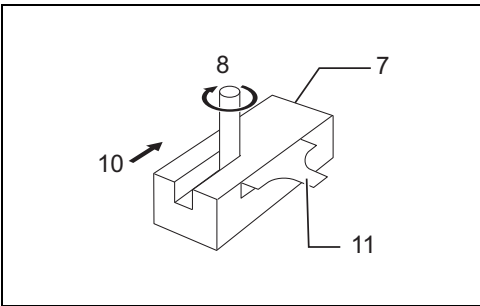
3

007106



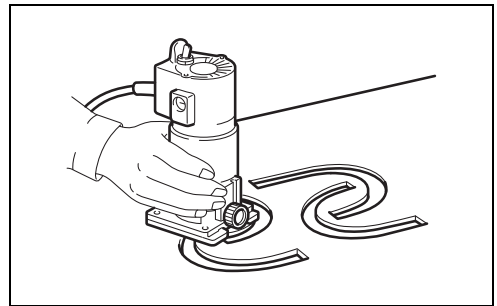
4

001984



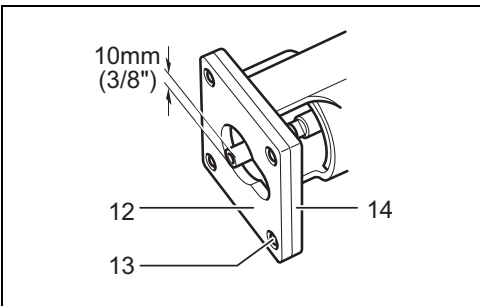
5

001985



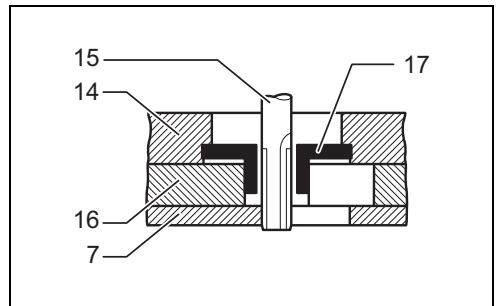
6

007112



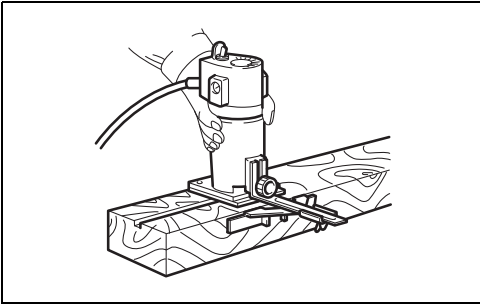
7

007113



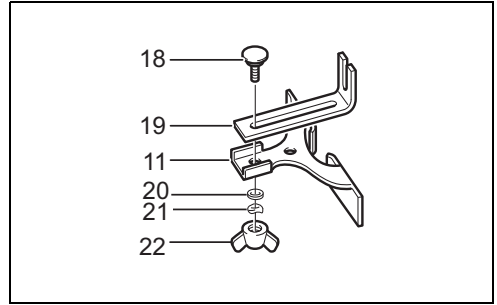
8

005435



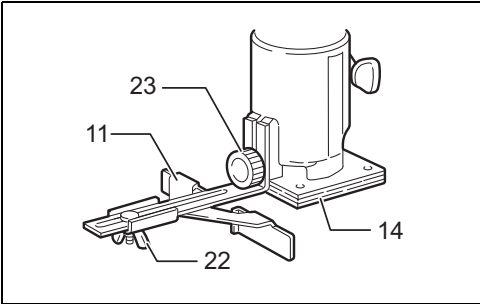
9

007109



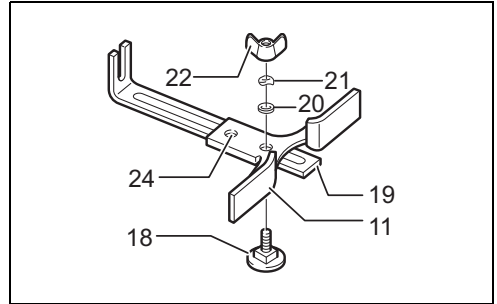
10

011978



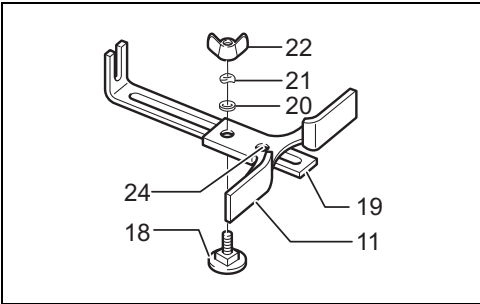
11

004559



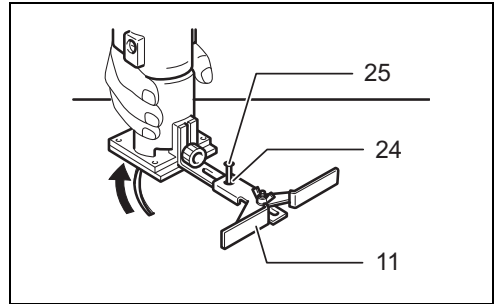
12

011979



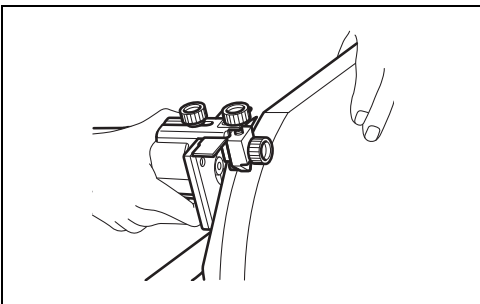
13

011980



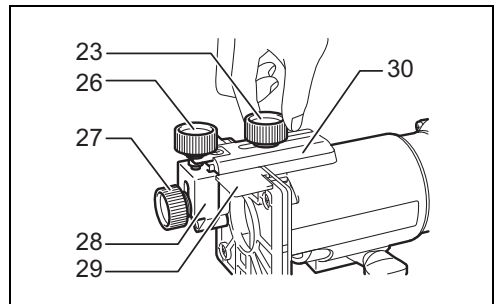
14

007110



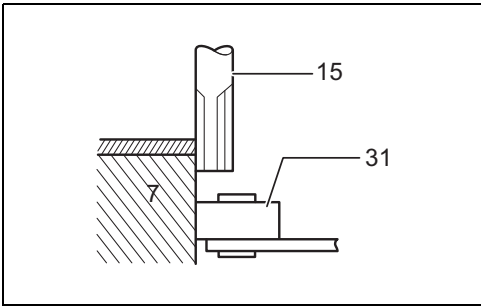
15

007111



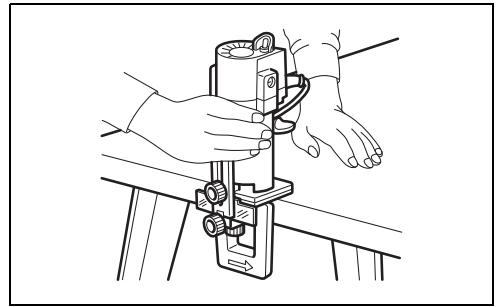
16

00544001



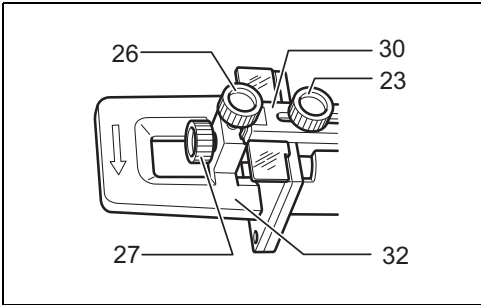
17

001998



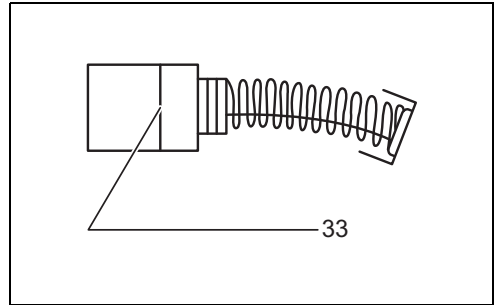
18

007114



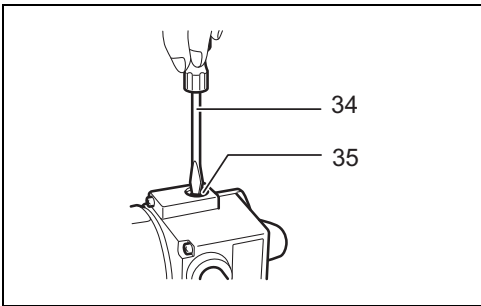
19

007115



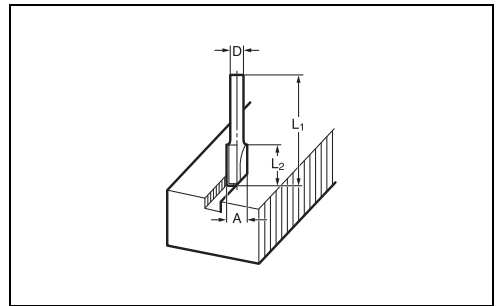
20

001145



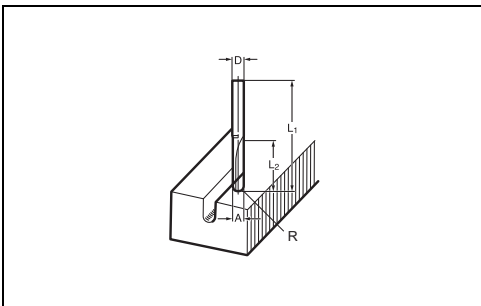
21

007116



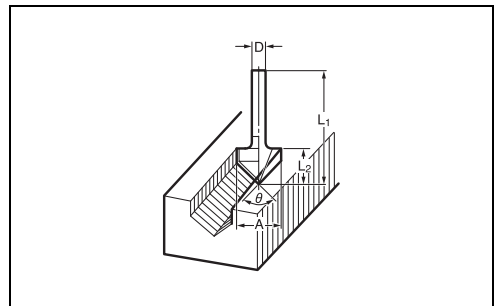
22

005116



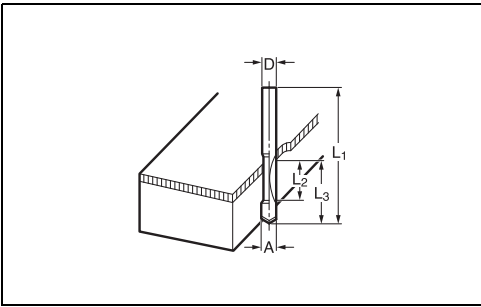
23

005117



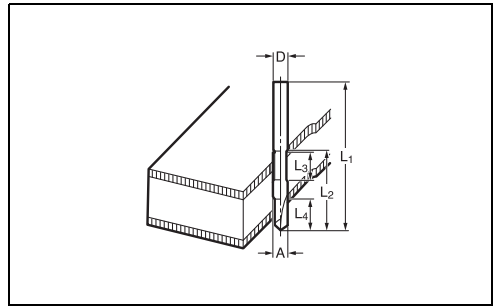
24

005118



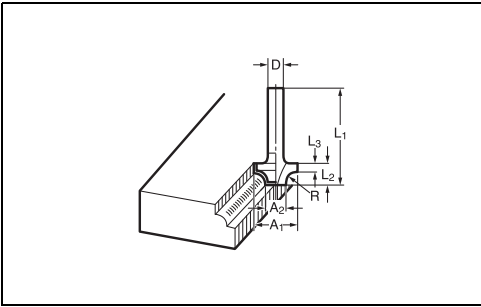
25

005120



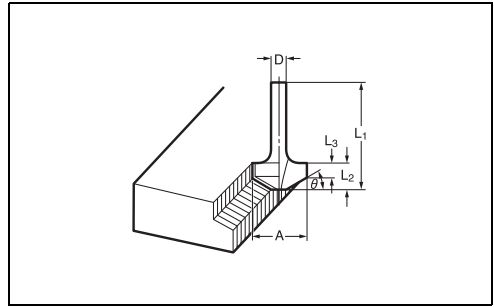
26

005121



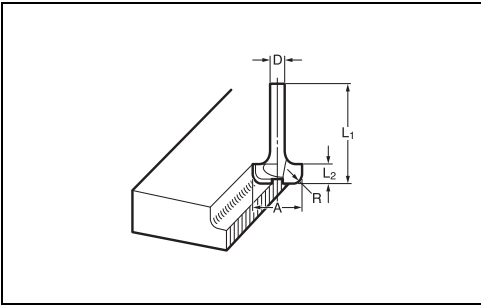
27

005125



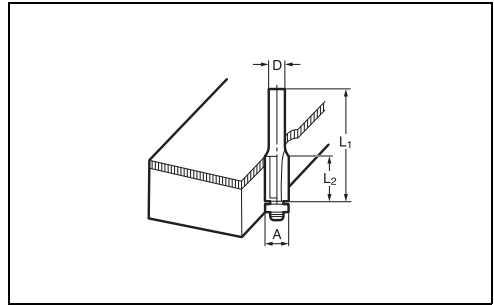
28

005126



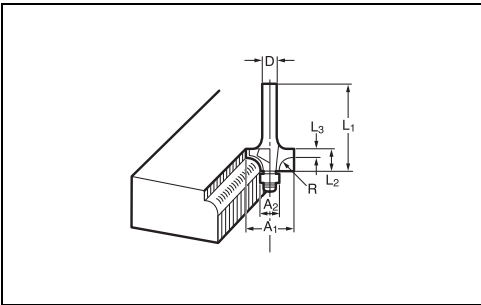
29

005129



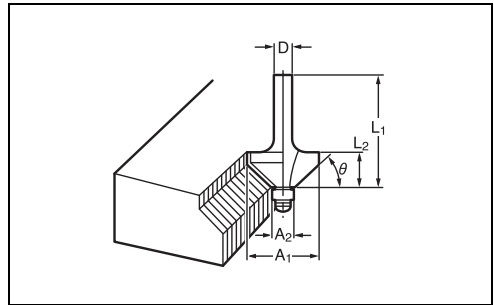
30

005130



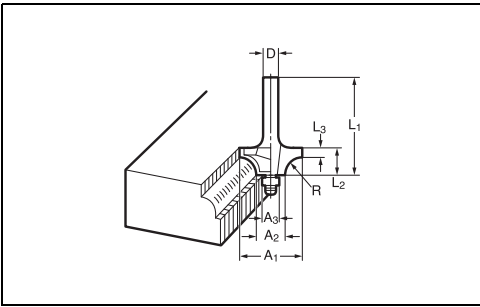
31

005131



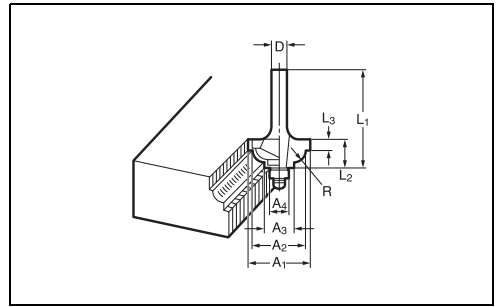
32

005132



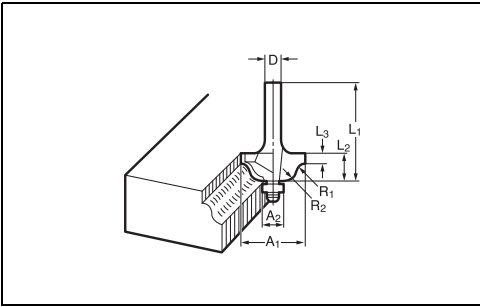
33

005133



34

005134



35

005135

ENGLISH

Explanation of general view

- | | | |
|----------------------------------|---------------------|----------------------|
| 1. Scale label | 13. Screw | 25. Nail |
| 2. Clamp screw | 14. Base | 26. Adjusting screw |
| 3. Switch lever | 15. Bit | 27. Clamp screw (B) |
| 4. Loosen | 16. Templet | 28. Trimmer guide |
| 5. Tighten | 17. Templet guide | 29. Chip deflector |
| 6. Hold | 18. Bolt | 30. Guide holder |
| 7. Workpiece | 19. Guide plate | 31. Guide roller |
| 8. Bit revolving direction | 20. Flat washer | 32. Trimmer shoe |
| 9. View from the top of the tool | 21. Wave washer | 33. Limit mark |
| 10. Feed direction | 22. Wing nut | 34. Screwdriver |
| 11. Straight guide | 23. Clamp screw (A) | 35. Brush holder cap |
| 12. Base protector | 24. Center hole | |

SPECIFICATIONS

Model	N3701
Collet chuck capacity	6.0 mm or 1/4"
No load speed (min ⁻¹)	30,000
Overall length	220 mm
Net weight	1.6 kg
Safety class	Class I

- Due to our continuing programme of research and development, the specifications herein are subject to change without notice.
- Specifications may differ from country to country.
- Weight according to EPTA-Procedure 01/2003

END224-1

Symbols

The following show the symbols used for the equipment. Be sure that you understand their meaning before use.



.... Read instruction manual.

ENE010-1

Intended use

The tool is intended for flush trimming and profiling of wood, plastic and similar materials.

ENF001-1

Power supply

The tool should be connected only to a power supply of the same voltage as indicated on the nameplate, and can only be operated on single-phase AC supply. This tool should be grounded while in use to protect the operator from electric shock. Use only three-wire extension cords which have three-prong grounding-type plugs and three-pole receptacles which accept the tool's plug.

GEA005-3

General Power Tool Safety Warnings

⚠ WARNING! Read all safety warnings and all instructions. Failure to follow the warnings and instructions may result in electric shock, fire and/or serious injury.

Save all warnings and instructions for future reference.

The term "power tool" in the warnings refers to your mains-operated (corded) power tool or battery-operated (cordless) power tool.

Work area safety

1. **Keep work area clean and well lit.** Cluttered or dark areas invite accidents.
2. **Do not operate power tools in explosive atmospheres, such as in the presence of flammable liquids, gases or dust.** Power tools create sparks which may ignite the dust or fumes.
3. **Keep children and bystanders away while operating a power tool.** Distractions can cause you to lose control.

Electrical safety

4. **Power tool plugs must match the outlet. Never modify the plug in any way. Do not use any adapter plugs with earthed (grounded) power tools.** Unmodified plugs and matching outlets will reduce risk of electric shock.
5. **Avoid body contact with earthed or grounded surfaces such as pipes, radiators, ranges and refrigerators.** There is an increased risk of electric shock if your body is earthed or grounded.
6. **Do not expose power tools to rain or wet conditions.** Water entering a power tool will increase the risk of electric shock.

7. **Do not abuse the cord. Never use the cord for carrying, pulling or unplugging the power tool. Keep cord away from heat, oil, sharp edges or moving parts.** Damaged or entangled cords increase the risk of electric shock.
8. **When operating a power tool outdoors, use an extension cord suitable for outdoor use.** Use of a cord suitable for outdoor use reduces the risk of electric shock.
9. **If operating a power tool in a damp location is unavoidable, use a residual current device (RCD) protected supply.** Use of an RCD reduces the risk of electric shock.
10. **Use of power supply via a RCD with a rated residual current of 30mA or less is always recommended.**

Personal safety

11. **Stay alert, watch what you are doing and use common sense when operating a power tool. Do not use a power tool while you are tired or under the influence of drugs, alcohol or medication.** A moment of inattention while operating power tools may result in serious personal injury.
12. **Use personal protective equipment. Always wear eye protection.** Protective equipment such as dust mask, non-skid safety shoes, hard hat, or hearing protection used for appropriate conditions will reduce personal injuries.
13. **Prevent unintentional starting. Ensure the switch is in the off-position before connecting to power source and/or battery pack, picking up or carrying the tool.** Carrying power tools with your finger on the switch or energising power tools that have the switch on invites accidents.
14. **Remove any adjusting key or wrench before turning the power tool on.** A wrench or a key left attached to a rotating part of the power tool may result in personal injury.
15. **Do not overreach. Keep proper footing and balance at all times.** This enables better control of the power tool in unexpected situations.
16. **Dress properly. Do not wear loose clothing or jewellery. Keep your hair, clothing, and gloves away from moving parts.** Loose clothes, jewellery or long hair can be caught in moving parts.
17. **If devices are provided for the connection of dust extraction and collection facilities, ensure these are connected and properly used.** Use of dust collection can reduce dust-related hazards.

Power tool use and care

18. **Do not force the power tool. Use the correct power tool for your application.** The correct power tool will do the job better and safer at the rate for which it was designed.
19. **Do not use the power tool if the switch does not turn it on and off.** Any power tool that cannot be controlled with the switch is dangerous and must be repaired.
20. **Disconnect the plug from the power source and/or the battery pack from the power tool before making any adjustments, changing accessories, or storing power tools.** Such preventive safety

- measures reduce the risk of starting the power tool accidentally.
21. **Store idle power tools out of the reach of children and do not allow persons unfamiliar with the power tool or these instructions to operate the power tool.** Power tools are dangerous in the hands of untrained users.
 22. **Maintain power tools. Check for misalignment or binding of moving parts, breakage of parts and any other condition that may affect the power tool's operation. If damaged, have the power tool repaired before use.** Many accidents are caused by poorly maintained power tools.
 23. **Keep cutting tools sharp and clean.** Properly maintained cutting tools with sharp cutting edges are less likely to bind and are easier to control.
 24. **Use the power tool, accessories and tool bits etc. in accordance with these instructions, taking into account the working conditions and the work to be performed.** Use of the power tool for operations different from those intended could result in a hazardous situation.

Service

25. **Have your power tool serviced by a qualified repair person using only identical replacement parts.** This will ensure that the safety of the power tool is maintained.
26. **Follow instruction for lubricating and changing accessories.**
27. **Keep handles dry, clean and free from oil and grease.**

GEB019-3

TRIMMER SAFETY WARNINGS

1. **Hold power tool by insulated gripping surfaces, because the cutter may contact its own cord.** Cutting a "live" wire may make exposed metal parts of the power tool "live" and shock the operator.
2. **Use clamps or another practical way to secure and support the workpiece to a stable platform.** Holding the work by your hand or against the body leaves it unstable and may lead to loss of control.
3. **Wear hearing protection during extended period of operation.**
4. **Handle the bits very carefully.**
5. **Check the bit carefully for cracks or damage before operation. Replace cracked or damaged bit immediately.**
6. **Avoid cutting nails. Inspect for and remove all nails from the workpiece before operation.**
7. **Hold the tool firmly.**
8. **Keep hands away from rotating parts.**
9. **Make sure the bit is not contacting the workpiece before the switch is turned on.**
10. **Before using the tool on an actual workpiece, let it run for a while. Watch for vibration or wobbling that could indicate improperly installed bit.**
11. **Be careful of the bit rotating direction and the feed direction.**
12. **Do not leave the tool running. Operate the tool only when hand-held.**

13. Always switch off and wait for the bit to come to a complete stop before removing the tool from workpiece.
14. Do not touch the bit immediately after operation; it may be extremely hot and could burn your skin.
15. Do not smear the tool base carelessly with thinner, gasoline, oil or the like. They may cause cracks in the tool base.
16. Draw attention to the need to use cutters of the correct shank diameter and which are suitable for the speed of the tool.
17. Some material contains chemicals which may be toxic. Take caution to prevent dust inhalation and skin contact. Follow material supplier safety data.
18. Always use the correct dust mask/respirator for the material and application you are working with.

SAVE THESE INSTRUCTIONS.

⚠ WARNING:

DO NOT let comfort or familiarity with product (gained from repeated use) replace strict adherence to safety rules for the subject product. **MISUSE** or failure to follow the safety rules stated in this instruction manual may cause serious personal injury.

FUNCTIONAL DESCRIPTION

⚠ CAUTION:

- Always be sure that the tool is switched off and unplugged before adjusting or checking function on the tool.

Adjusting depth of cut (Fig. 1)

Place the tool on a flat surface. Loosen the clamp screw and move the tool body until the bit just touches the flat surface. Tighten the clamp screw slightly. Place the tool on its side and loosen the clamp screw. Move the tool base until the desired depth of cut is obtained. Depth of cut can be checked with the scale label (1 mm per graduation) on the tool. Then tighten the clamp screw securely.

Switch action (Fig. 2)

⚠ CAUTION:

- Before plugging in the tool, always be sure that the tool is switched off.

To start the tool, move the switch lever to the I position. To stop the tool, move the switch lever to the O position.

ASSEMBLY

⚠ CAUTION:

- Always be sure that the tool is switched off and unplugged before carrying out any work on the tool.

Installing or removing trimmer bit (Fig. 3)

⚠ CAUTION:

- Do not tighten the collet nut without inserting a bit, or the collet cone will break.
- Use only the wrenches provided with the tool.

Insert the bit all the way into the collet cone and tighten the collet nut securely with the two wrenches.

To remove the bit, follow the installation procedure in reverse.

OPERATION

Set the tool base on the workpiece to be cut without the bit making any contact. Then turn the tool on and wait until the bit attains full speed. Move the tool forward over the workpiece surface, keeping the tool base flush and advancing smoothly until the cutting is complete.

When doing edge cutting, the workpiece surface should be on the left side of the bit in the feed direction. (Fig. 4)

NOTE:

- Moving the tool forward too fast may cause a poor quality of cut, or damage to the bit or motor. Moving the tool forward too slowly may burn and mar the cut. The proper feed rate will depend on the bit size, the kind of workpiece and depth of cut. Before beginning the cut on the actual workpiece, it is advisable to make a sample cut on a piece of scrap lumber. This will show exactly how the cut will look as well as enable you to check dimensions.

NOTE:

- When using the trimmer shoe, the straight guide or the trimmer guide, be sure to keep it on the right side in the feed direction. This will help to keep it flush with the side of the workpiece. (Fig. 5)

⚠ CAUTION:

- Since excessive cutting may cause overload of the motor or difficulty in controlling the tool, the depth of cut should not be more than 3 mm at a pass when cutting grooves. When you wish to cut grooves more than 3 mm deep, make several passes with progressively deeper bit settings.

Templet guide

The templet guide provides a sleeve through which the bit passes, allowing use of the trimmer with templet patterns. (Fig. 6)

Remove the chip deflector.

Loosen the screws and remove the base protector. Place the templet guide on the base and replace the base protector. Then secure the base protector by tightening the screws. (Fig. 7)

Secure the templet to the workpiece. Place the tool on the templet and move the tool with the templet guide sliding along the side of the templet. (Fig. 8)

NOTE:

- The workpiece will be cut a slightly different size from the templet. Allow for the distance (X) between the router bit and the outside of the templet guide. The distance (X) can be calculated by using the following equation:
Distance (X) = (outside diameter of the templet guide - router bit diameter) / 2

Straight guide

The straight guide is effectively used for straight cuts when chamfering or grooving. (Fig. 9)

Attach the guide plate to the straight guide with the bolt, the wave washer, the flat washer and the wing nut. (Fig. 10)

Remove the chip deflector.

Attach the straight guide with the clamp screw (A). Loosen the wing nut on the straight guide and adjust the distance between the bit and the straight guide. At the desired distance, tighten the wing nut securely. (Fig. 11)

When cutting, move the tool with the straight guide flush with the side of the workpiece.

Circular work

Circular work may be accomplished if you assemble the straight guide and guide plate as shown in the figures.

(Fig. 12 & Fig. 13)

Min. and max. radius of circles to be cut (distance between the center of circle and the center of bit) are as follows:

Min.: 70 mm

Max.: 221 mm

For cutting circles between 70 mm and 121 mm in radius.

For cutting circles between 121 mm and 221 mm in radius.

NOTE:

- Circles between 172 mm and 186 mm in radius cannot be cut using this guide.

Align the center hole in the straight guide with the center of the circle to be cut. Drive a nail less than 6 mm in diameter into the center hole to secure the straight guide. Pivot the tool around the nail in clockwise direction. (Fig. 14)

Trimmer guide

Trimming, curved cuts in veneers for furniture and the like can be done easily with the trimmer guide. The guide roller rides the curve and assures a fine cut. (Fig. 15)

Attach the chip deflector on the groove of the base. Then install the trimmer guide and guide holder on the tool base with the clamp screw (A). Loosen the clamp screw (B) and adjust the distance between the bit and the trimmer guide by turning the adjusting screw (1 mm per turn). At the desired distance, tighten the clamp screw (B) to secure the trimmer guide in place. (Fig. 16)

When cutting, move the tool with the guide roller riding the side of the workpiece. (Fig. 17)

Trimmer shoe (Optional accessory)

By attaching the trimmer shoe, you can obtain a rightangle guide surface for the trimmer base guide. This enables accurate chamfering and similar edge work. (Fig. 18)

Remove the trimmer guide from the tool. Install the trimmer shoe on the tool base with the adjusting screw and the clamp screw (B). Loosen the clamp screw (B) and adjust the distance between the bit and the trimmer shoe by turning the adjusting screw (1 mm per turn). At the desired distance, tighten the clamp screw (B) to secure the trimmer shoe in place. When cutting, feed the tool in the direction of the arrow on the trimmer shoe. (Fig. 19)

MAINTENANCE

⚠ CAUTION:

- Always be sure that the tool is switched off and unplugged before attempting to perform inspection or maintenance.

- Never use gasoline, benzene, thinner, alcohol or the like. Discoloration, deformation or cracks may result.

Replacing carbon brushes

Remove and check the carbon brushes regularly. Replace when they wear down to the limit mark. Keep the carbon brushes clean and free to slip in the holders. Both carbon brushes should be replaced at the same time. Use only identical carbon brushes. (Fig. 20)

Use a screwdriver to remove the brush holder caps. Take out the worn carbon brushes, insert the new ones and secure the brush holder caps. (Fig. 21)

To maintain product SAFETY and RELIABILITY, repairs, any other maintenance or adjustment should be performed by Makita Authorized Service Centers, always using Makita replacement parts.

OPTIONAL ACCESSORIES

⚠ CAUTION:

- These accessories or attachments are recommended for use with your Makita tool specified in this manual. The use of any other accessories or attachments might present a risk of injury to persons. Only use accessory or attachment for its stated purpose.

If you need any assistance for more details regarding these accessories, ask your local Makita Service Center.

- Straight guide assembly
- Trimmer guide assembly
- Templet guide
- Collet cone 6 mm
- Wrench 10
- Wrench 17
- Trimmer base assembly
- Trimmer shoe

Router bits

Straight bit (Fig. 22)

	D	A	L1	L2	mm
20	6	20	50	15	
20E	1/4"				
8	6	8	50	18	
8E	1/4"				
6	6	6	50	18	
6E	1/4"				

006485

“U” Grooving bit (Fig. 23)

	D	A	L1	L2	R	mm
6	6	6	60	28	3	
6E	1/4"					

006486

“V” Grooving bit (Fig. 24)

	D	A	L1	L2	θ	mm
	1/4"	20	50	15	90°	

006454

Drill point flush trimming bit (Fig. 25)

mm

	D	A	L1	L2	L3
6	6	6	60	18	28
6E	1/4"				

006487

Drill point double flush trimming bit (Fig. 26)

mm

	D	A	L1	L2	L3	L4
6	6	6	70	40	12	14
6E	1/4"					

006488

Corner rounding bit (Fig. 27)

mm

	D	A1	A2	L1	L2	L3	R
8R	6	25	9	48	13	5	8
8RE	1/4"						
4R	6	20	8	45	10	4	4
4RE	1/4"						

006489

Chamfering bit (Fig. 28)

mm

D	A	L1	L2	L3	θ
6	23	46	11	6	30°
6	20	50	13	5	45°
6	20	49	14	2	60°

006462

Cove beading bit (Fig. 29)

mm

D	A	L1	L2	R
6	20	43	8	4
6	25	48	13	8

006464

Ball bearing flush trimming bit (Fig. 30)

mm

D	A	L1	L2
6	10	50	20
1/4"			

006465

Ball bearing corner rounding bit (Fig. 31)

mm

D	A1	A2	L1	L2	L3	R
6	15	8	37	7	3.5	3
6	21	8	40	10	3.5	6
1/4"	21	8	40	10	3.5	6

006466

Ball bearing chamfering bit (Fig. 32)

mm

D	A1	A2	L1	L2	θ
6	26	8	42	12	45°
1/4"					
6	20	8	41	11	60°

006467

Ball bearing beading bit (Fig. 33)

mm

D	A1	A2	A3	L1	L2	L3	R
6	20	12	8	40	10	5.5	4
6	26	12	8	42	12	4.5	7

006468

Ball bearing cove beading bit (Fig. 34)

mm

D	A1	A2	A3	A4	L1	L2	L3	R
6	20	18	12	8	40	10	5.5	3
6	26	22	12	8	42	12	5	5

006469

Ball bearing roman ogee bit (Fig. 35)

mm

D	A1	A2	L1	L2	L3	R1	R2
6	20	8	40	10	4.5	2.5	4.5
6	26	8	42	12	4.5	3	6

006470

NOTE:

- Some items in the list may be included in the tool package as standard accessories. They may differ from country to country.

Penjelasan tampilan keseluruhan

- | | | |
|------------------------------|-------------------------|----------------------------|
| 1. Label skala | 13. Sekrup | 25. Paku |
| 2. Sekrup penjepit | 14. Dudukan | 26. Sekrup penytel |
| 3. Tuas saklar | 15. Mata mesin | 27. Sekrup jepit (B) |
| 4. Kendurkan | 16. Mal | 28. Pemandu alat potong |
| 5. Kencangkan | 17. Pemandu mal | 29. Pengarah serpihan kayu |
| 6. Penahan | 18. Baut | 30. Pemegang pemandu |
| 7. Benda kerja | 19. Pelat pemandu | 31. Rol pemandu |
| 8. Arah putaran mata mesin | 20. Ring plat | 32. Sepatu alat potong |
| 9. Pandangan dari atas mesin | 21. Cincin bergelombang | 33. Tanda batas |
| 10. Arah pemakanan | 22. Mur kupu-kupu | 34. Obeng |
| 11. Pemandu kelurusan | 23. Sekrup jepit (A) | 35. Tutup tempat sikat |
| 12. Pelindung dudukan | 24. Lubang tengah | |

SPESIFIKASI

Model	N3701
Kapasitas cekam kolet	6,0 mm atau 1/4"
Kecepatan tanpa beban (min ⁻¹)	30.000
Panjang keseluruhan	220 mm
Berat bersih	1,6 kg
Kelas keamanan	Kelas I

- Karena kesinambungan program penelitian dan pengembangan kami, spesifikasi yang disebutkan di sini dapat berubah tanpa pemberitahuan.
- Spesifikasi dapat berbeda dari satu negara ke negara lainnya.
- Berat menurut Prosedur EPTA 01/2003

END224-1

Simbol

Berikut ini adalah simbol-simbol yang digunakan pada peralatan ini. Pastikan Anda mengerti makna masing-masing simbol sebelum menggunakan alat.



.... Baca petunjuk penggunaan.

ENE010-1

Penggunaan

Mesin ini digunakan untuk pekerjaan pemotongan benam dan memprofil kayu, plastik serta bahan-bahan sejenisnya.

ENF001-1

Pasokan daya

Mesin harus terhubung dengan pasokan daya listrik yang bervoltase sama dengan yang tertera pada pelat nama, dan hanya dapat dijalankan dengan listrik AC fase tunggal. Mesin ini harus terarde (dibumikan) ketika digunakan untuk melindungi operator dari sengatan listrik. Gunakan hanya kabel ekstensi tiga-kawat yang mempunyai steker tipe pengardean tiga-kaki dan stop kontak tiga-kutub yang bisa dimasuki steker mesin.

GEA005-3

Peringatan Keselamatan Umum Mesin Listrik

⚠ PERINGATAN! Bacalah semua peringatan keselamatan dan semua petunjuk. Kelalaian mematuhi peringatan dan petunjuk dapat menyebabkan sengatan listrik, kebakaran dan/atau cedera serius.

Simpanlah semua peringatan dan petunjuk untuk acuan di masa depan.

Istilah “mesin listrik” dalam semua peringatan mengacu pada mesin listrik yang dijalankan dengan sumber listrik jala-jala (berkabel) atau baterai (tanpa kabel).

Keselamatan tempat kerja

1. **Jaga tempat kerja selalu bersih dan berpenerangan cukup.** Tempat kerja yang berantakan dan gelap mengundang kecelakaan.
2. **Jangan gunakan mesin listrik dalam lingkungan yang mudah meledak, misalnya jika ada cairan, gas, atau debu yang mudah menyala.** Mesin listrik menimbulkan bunga api yang dapat menyalakan debu atau uap tersebut.
3. **Jauhkan anak-anak dan orang lain saat menggunakan mesin listrik.** Bila perhatian terpecah, anda dapat kehilangan kendali.

Keamanan kelistrikan

4. **Steker mesin listrik harus cocok dengan stopkontak. Jangan sekali-kali mengubah steker dengan cara apa pun. Jangan menggunakan adaptor dengan mesin listrik berarde (dibumikan).** Steker yang tidak diubah dan stopkontak yang cocok akan mengurangi risiko sengatan listrik.
5. **Hindari sentuhan tubuh dengan permukaan berarde atau yang dibumikan seperti pipa, radiator, kompor, dan kulkas.** Risiko sengatan listrik bertambah jika tubuh Anda terbumikan atau terarde.

6. **Jangan membiarkan mesin listrik kehujaan atau kebasahan.** Air yang masuk ke dalam mesin listrik akan meningkatkan risiko sengatan listrik.
7. **Jangan menyalahgunakan kabel. Jangan sekali-kali menggunakan kabel untuk membawa, menarik, atau mencabut mesin listrik dari stopkontak. Jauhkan kabel dari panas, minyak, tepian tajam, atau bagian yang bergerak.** Kabel yang rusak atau kusut memperbesar risiko sengatan listrik.
8. **Bila menggunakan mesin listrik di luar ruangan, gunakan kabel ekstensi yang sesuai untuk penggunaan di luar ruangan.** Penggunaan kabel yang sesuai untuk penggunaan luar ruangan mengurangi risiko sengatan listrik.
9. **Jika mengoperasikan mesin listrik di lokasi lembap tidak terhindarkan, gunakan pasokan daya yang dilindungi peranti imbasan arus (residual current device - RCD).** Penggunaan RCD mengurangi risiko sengatan listrik.
10. **Penggunaan pasokan daya melalui RCD dengan kapasitas arus sisa 30 mA atau kurang selalu dianjurkan.**

Keselamatan diri

11. **Jaga kewaspadaan, perhatikan pekerjaan Anda dan gunakan akal sehat bila menggunakan mesin listrik. Jangan menggunakan mesin listrik saat Anda lelah atau di bawah pengaruh obat bius, alkohol, atau obat.** Sekejap saja lalai saat menggunakan mesin listrik dapat menyebabkan cedera diri yang serius.
12. **Gunakan alat pelindung diri. Selalu gunakan pelindung mata.** Peralatan pelindung seperti masker debu, sepatu pengaman anti-selip, helm pengaman, atau pelindung telinga yang digunakan untuk kondisi yang sesuai akan mengurangi risiko cedera diri.
13. **Cegah penyalan yang tidak disengaja. Pastikan bahwa sakelar berada dalam posisi mati (off) sebelum menghubungkan mesin ke sumber daya dan/atau baterai, atau mengangkat atau membawanya.** Membawa mesin listrik dengan jari Anda pada sakelarnya atau mengalirkan listrik pada mesin listrik yang sakelarnya hidup (on) akan mengundang kecelakaan.
14. **Lepaskan kunci-kunci penyetel sebelum menghidupkan mesin listrik.** Kunci-kunci yang masih terpasang pada bagian mesin listrik yang berputar dapat menyebabkan cedera.
15. **Jangan meraih terlalu jauh. Jagalah pijakan dan keseimbangan sepanjang waktu.** Hal ini memungkinkan kendali yang lebih baik atas mesin listrik dalam situasi yang tidak diharapkan.
16. **Kenakan pakaian dengan baik. Jangan memakai pakaian yang kedodoran atau perhiasan. Jaga jarak antara rambut, pakaian, dan sarung tangan Anda dengan bagian mesin yang bergerak.** Pakaian kedodoran, perhiasan, atau rambut panjang dapat tersangkut pada bagian yang bergerak.
17. **Jika tersedia fasilitas untuk menghisap dan mengumpulkan debu, pastikan fasilitas tersebut terhubung listrik dan digunakan dengan baik.** Penggunaan pembersih debu dapat mengurangi bahaya yang terkait dengan debu.

Penggunaan dan pemeliharaan mesin listrik

18. **Jangan memaksa mesin listrik. Gunakan mesin listrik yang tepat untuk keperluan Anda.** Mesin listrik yang tepat akan menuntaskan pekerjaan dengan lebih baik dan aman pada kecepatan sesuai rancangannya.
19. **Jangan gunakan mesin listrik jika sakelar tidak dapat menyalakan dan mematikannya.** Mesin listrik yang tidak dapat dikendalikan dengan sakelarnya adalah berbahaya dan harus diperbaiki.
20. **Cabut steker dari sumber listrik dan/atau baterai dari mesin listrik sebelum melakukan penyetelan, penggantian aksesoris, atau menyimpan mesin listrik.** Langkah keselamatan preventif tersebut mengurangi risiko hidupnya mesin secara tak sengaja.
21. **Simpan mesin listrik jauh dari jangkauan anak-anak dan jangan biarkan orang yang tidak paham mengenai mesin listrik tersebut atau petunjuk ini menggunakan mesin listrik.** Mesin listrik sangat berbahaya di tangan pengguna yang tak terlatih.
22. **Rawatlah mesin listrik. Periksa apakah ada bagian bergerak yang tidak lurus atau macet, bagian yang pecah dan kondisi lain yang dapat mempengaruhi penggunaan mesin listrik. Jika rusak, perbaiki dahulu mesin listrik sebelum digunakan.** Banyak kecelakaan disebabkan oleh kurangnya pemeliharaan mesin listrik.
23. **Jaga agar mesin pemotong tetap tajam dan bersih.** Mesin pemotong yang terawat baik dengan mata pemotong yang tajam tidak mudah macet dan lebih mudah dikendalikan.
24. **Gunakan mesin listrik, aksesoris, dan mata mesin, dll. sesuai dengan petunjuk ini, dengan memperhitungkan kondisi kerja dan jenis pekerjaan yang dilakukan.** Penggunaan mesin listrik untuk penggunaan yang lain dari peruntukan dapat menimbulkan situasi berbahaya.

Servis

25. **Berikan mesin listrik untuk diperbaiki hanya kepada oleh teknisi yang berkualifikasi dengan menggunakan hanya suku cadang pengganti yang serupa.** Hal ini akan menjamin terjaganya keamanan mesin listrik.
26. **Patuhi petunjuk pelumasan dan penggantian aksesoris.**
27. **Jagalah agar gagang kering, bersih, dan bebas dari minyak dan gemuk.**

GEB019-3

PERINGATAN KESELAMATAN MESIN PROFIL

1. **Pegang mesin listrik pada permukaan genggam yang terisolasi, karena pemotong mungkin bersentuhan dengan kawat tersembunyi.** Memotong kawat "hidup" bisa menyebabkan bagian logam pada mesin listrik teraliri arus listrik dan menyengat pengguna.
2. **Gunakan klem atau cara praktis lainnya untuk mengikat dan menahan benda kerja pada posisi yang stabil.** Menahan benda kerja dengan tangan Anda atau berada pada posisi berlawanan dengan

badan membuat benda kerja tidak stabil dan dapat menyebabkan kehilangan kendali.

3. **Gunakan pelindung telinga selama penggunaan terus-menerus.**
4. **Tangani mata mesin dengan sangat hati-hati.**
5. **Periksa mata mesin secara seksama akan adanya keretakan atau kerusakan sebelum penggunaan. Segera ganti mata mesin yang retak atau rusak.**
6. **Hindari memotong paku. Periksa dan buang semua paku dari benda kerja sebelum pengoperasian.**
7. **Pegang mesin kuat-kuat.**
8. **Jauhkan tangan dari bagian yang berputar.**
9. **Pastikan bahwa mata mesin tidak menyentuh benda kerja sebelum saklar dinyalakan.**
10. **Sebelum menggunakan mesin pada benda kerja yang sebenarnya, jalankan mesin sebentar. Perhatikan akan adanya getaran atau goyangan yang dapat menunjukkan mata mesin terpasang secara tidak benar.**
11. **Hati-hati terhadap arah putaran mata mesin dan arah pemakanan.**
12. **Jangan tinggalkan mesin dalam keadaan hidup. Jalankan mesin hanya ketika digenggam tangan.**
13. **Selalu matikan dan tunggu sampai mata mesin benar-benar berhenti sebelum mengangkat mesin dari benda kerja.**
14. **Jangan menyentuh mata mesin atau benda kerja segera setelah pengoperasian; suhunya mungkin masih sangat panas dan dapat membakar kulit Anda.**
15. **Jangan melumuri dudukan mesin dengan tiner, bensin, oli atau bahan sejenisnya. Hal tersebut bisa menyebabkan keretakan pada dudukan mesin.**
16. **Perhatikan kebutuhan penggunaan alat potong dengan diameter kepala tirus yang tepat dan sesuai dengan kecepatan mesin.**
17. **Bahan tertentu mengandung zat kimia yang mungkin beracun. Hindari menghirup debu dan persentuhan dengan kulit. Ikuti data keselamatan bahan dari pemasok.**
18. **Selalu gunakan masker debu/alat pernafasan yang tepat sesuai bahan dan pekerjaan yang sedang Anda kerjakan.**

SIMPAN PETUNJUK INI.

⚠ PERINGATAN:

JANGAN biarkan kenyamanan atau terbiasanya Anda dengan produk (karena penggunaan berulang) menggantikan kepatuhan yang ketat terhadap aturan keselamatan untuk produk yang terkait.
PENYALAHGUNAAN atau kelalaian mematuhi kaidah keselamatan yang tertera dalam petunjuk ini dapat menyebabkan cedera badan serius.

DESKRIPSI FUNGSI

⚠ PERHATIAN:

- Selalu pastikan bahwa mesin dalam keadaan mati dan steker tercabut sebelum menyetel atau memeriksa kerja mesin.

Menyetel kedalaman pemotongan (Gb. 1)

Tempatkan mesin pada permukaan yang rata. Kendurkan sekrup jepit dan gerakkan badan mesin sampai mata mesin sedikit menyentuh permukaan rata tersebut. Kencangkan sedikit sekrup jepit. Posisikan mesin pada sisinya dan kendurkan sekrup jepit. Gerakkan dudukan mesin sampai diperoleh kedalaman pemotongan yang diinginkan. Kedalaman pemotongan bisa diperiksa dengan skala (1 mm tiap garis skala) pada mesin. Kemudian kencangkan sekrup jepit kuat-kuat.

Kerja saklar (Gb. 2)

⚠ PERHATIAN:

- Sebelum memasukkan steker, selalu pastikan bahwa mesin dalam keadaan mati.

Untuk menjalankan mesin, pindahkan tuas saklar ke posisi I. Untuk menghentikan mesin, pindahkan tuas saklar ke posisi O.

PERAKITAN

⚠ PERHATIAN:

- Pastikan bahwa mesin dalam keadaan mati dan steker tercabut sebelum melakukan pekerjaan apapun pada mesin.

Memasang atau melepas mata mesin profil (Gb. 3)

⚠ PERHATIAN:

- Jangan mengencangkan mur kolet tanpa memasukkan mata mesin, atau konus kolet bisa rusak.
- Gunakan hanya kunci pas yang tersedia bersama mesin.

Masukkan mata mesin seluruhnya ke dalam lubang konus kolet dan kencangkan mur kolet dengan kuat menggunakan dua kunci pas.

Untuk melepas mata mesin, ikuti urutan terbalik dari prosedur pemasangan.

PENGGUNAAN

Setel dudukan mesin pada benda kerja yang akan dipotong dengan kondisi mata mesin tidak menyentuh apapun. Lalu nyalakan mesin dan tunggu sampai mata mesin mencapai kecepatan penuh. Gerakkan mesin arah maju di atas permukaan benda kerja, jaga agar dudukan mesin tetap terbenam dan gerakkan dengan lembut sampai pemotongan selesai.

Ketika melakukan pemotongan tepi, permukaan benda kerja harus berada di sisi kiri mata mesin pada arah pemakanan. (Gb. 4)

CATATAN:

- Menggerakkan mesin terlalu cepat bisa menyebabkan kurang baiknya kualitas, serta bisa merusak mesin atau motor. Menggerakkan mesin terlalu lambat bisa membakar dan merusak hasil pemotongan. Laju pemakanan yang tepat tergantung pada ukuran mata mesin, jenis benda kerja dan kedalaman pemotongan. Sebelum memulai pemotongan pada benda kerja yang sebenarnya, dianjurkan untuk mencoba melakukan pemotongan pada potongan papan bekas. Hal ini akan menunjukkan secara tepat bagaimana bentuk hasil pemotongan nantinya serta memungkinkan Anda untuk memeriksa ukuran.

CATATAN:

- Ketika menggunakan sepatu mesin profil, pemandu kelurusan atau pemandu alat potong, pastikan untuk tetap berada di sisi kanan pada arah pemotongan. Hal ini bisa membantu untuk menjaganya agar tepat berada pada sisi benda kerja. (Gb. 5)

⚠ PERHATIAN:

- Karena pemotongan yang berlebihan bisa menyebabkan kelebihan beban pada motor atau kesulitan dalam mengendalikan mesin, maka jalan masuk tidak boleh lebih dari 3 mm ketika memotong alur. Jika Anda ingin memotong alur berkedalaman lebih dari 3 mm, buat beberapa jalan masuk dengan setelan mata mesin yang berurutan semakin dalam.

Pemandu mal

Pemandu mal menyediakan alur yang dilalui mata mesin, yang memungkinkan penggunaan mesin profil dengan pola-pola mal. (Gb. 6)

Lepas pengarah serpihan kayu.

Kendurkan sekrup dan lepas pelindung dudukan.

Posisikan pemandu mal pada dudukan dan ganti pelindung dudukan. Kemudian kencangkan pelindung dudukan dengan mengencangkan sekrup. (Gb. 7)

Pasang mal pada benda kerja. Posisikan mesin pada mal dan gerakkan mesin dengan pemandu mal yang bergeser sepanjang sisi mal. (Gb. 8)

CATATAN:

- Benda kerja akan terpotong dengan ukuran yang sedikit berbeda dengan mal. Buat jarak (X) antara mata mesin frais tangan dan sisi luar pemandu mal. Jarak (X) bisa dihitung dengan menggunakan persamaan berikut ini:
$$\text{Jarak (X)} = (\text{diameter luar pemandu mal} - \text{diameter mata mesin}) / 2$$

Pemandu kelurusan

Pemandu kelurusan bisa digunakan secara efektif untuk hasil pemotongan yang lurus ketika memotong miring atau membuat alur. (Gb. 9)

Pasang pelat pemandu pada pemandu kelurusan dengan baut, cincin bergelombang, ring plat dan mur kupu-kupu. (Gb. 10)

Lepas pengarah serpihan kayu.

Saat pemandu kelurusan dengan sekrup penjepit (A). Kendurkan mur kupu-kupu pada pemandu kelurusan dan setel jarak antara mata mesin dan pemandu kelurusan. Pada jarak yang diinginkan, kencangkan mur kupu-kupu dengan kuat. (Gb. 11)

Ketika memotong, gerakkan mesin dengan pemandu kelurusan berada tepat pada sisi benda kerja.

Jerja melingkar

Jerja melingkar bisa dilakukan jika Anda merakit pemandu kelurusan dan pelat pemandu seperti ditunjukkan dalam gambar. (Gb. 12 & Gb. 13)

Jari-jari minimum dan maksimum lingkaran yang akan dipotong (jarak antara pusat lingkaran dan pusat mata mesin) adalah sebagaimana berikut:

Min.: 70 mm

Maks.: 221 mm

Untuk memotong lingkaran yang jari-jarinya antara 70 mm dan 121 mm.

Untuk memotong lingkaran yang jari-jarinya antara 121 mm dan 221 mm.

CATATAN:

- Lingkaran yang jari-jarinya antara 172 mm dan 186 mm tidak bisa dipotong dengan menggunakan pemandu ini.

Sejajarkan lubang tengah pada pemandu kelurusan dengan pusat lingkaran yang akan dipotong. Pasang paku berdiameter kurang dari 6 mm pada lubang tengah untuk mengencangkan pemandu kelurusan. Putar mesin mengelilingi paku sesuai dengan arah jarum jam. (Gb. 14)

Pemandu alat potong

Pemangkas, hasil pemotongan yang melengkung pada kayu finer untuk mebel dan sejenisnya bisa dikerjakan dengan mudah menggunakan pemandu alat potong. Rol pemandu bergerak di sepanjang lengkungan dan menjamin didapatkannya hasil pemotongan yang halus. (Gb. 15)

Pasang pengarah serpihan kayu pada alur dudukan. Lalu pasang pemandu mesin profil dan pemegang pemandu pada dudukan mesin dengan sekrup penjepit (A).

Kendurkan sekrup penjepit (B) dan setel jarak antara mata mesin dengan pemandu mesin profil dengan memutar sekrup penyetel (1 mm tiap putaran). Pada jarak yang diinginkan, kencangkan sekrup penjepit (B) untuk mengikat pemandu mesin profil pada tempatnya. (Gb. 16) Ketika memotong, gerakkan mesin dengan pemandu kelurusan yang bergerak di sepanjang sisi benda kerja. (Gb. 17)

Sepatu alat potong (Pilihan aksesoris)

Dengan memasang sepatu alat potong, Anda bisa memperoleh permukaan pemandu dengan sudut yang tepat untuk pemandu dudukan alat potong. Hal ini memungkinkan dilakukannya pemotongan miring yang akurat dan pekerjaan tepi yang serupa. (Gb. 18)

Lepas pemandu alat potong dari mesin. Pasang sepatu alat potong pada dudukan mesin dengan sekrup penyetel dan sekrup jepit (B). Kendurkan sekrup penjepit (B) dan setel jarak antara mata mesin dengan sepatu alat potong dengan memutar sekrup penyetel (1 mm tiap putaran). Pada jarak yang diinginkan, kencangkan sekrup penjepit (B) untuk mengikat sepatu alat potong pada tempatnya. Saat memotong, lakukan pemakanan dengan mesin sesuai arah panah pada sepatu alat potong. (Gb. 19)

PERAWATAN

⚠ PERHATIAN:

- Selalu pastikan bahwa mesin dimatikan dan steker dicabut sebelum melakukan pemeriksaan atau perawatan.
- Jangan sekali-kali menggunakan bensin, tiner, alkohol, atau bahan sejenisnya. Penggunaan bahan demikian dapat menyebabkan perubahan warna, perubahan bentuk atau timbulnya retakan.

Mengganti sikat karbon

Lepas dan periksa sikat karbon secara teratur. Lepas ketika aus sampai tanda batas. Jaga agar sikat karbon tetap bersih dan tidak bergeser dari tempatnya. Kedua sikat karbon harus diganti pada waktu yang sama. Hanya gunakan sikat karbon yang sama. **(Gb. 20)** Gunakan obeng untuk melepas tutup tempat sikat. Tarik keluar sikat karbon yang aus, masukkan yang baru dan pasang tutup tempat sikat. **(Gb. 21)** Untuk menjaga KEAMANAN dan KEANDALAN mesin, perbaikan, perawatan atau penyetelan lain harus dilakukan oleh Pusat Layanan Resmi Makita; selalu gunakan suku cadang pengganti buatan Makita.

PILIHAN AKSESORI

⚠ PERHATIAN:

- Dianjurkan untuk menggunakan aksesoris atau perangkat tambahan ini dengan mesin Makita Anda yang ditentukan dalam petunjuk ini. Penggunaan aksesoris atau perangkat tambahan lain bisa menyebabkan risiko cedera pada manusia. Hanya gunakan aksesoris atau perangkat tambahan sesuai dengan peruntukannya.

Jika Anda memerlukan bantuan lebih rinci berkenaan dengan aksesoris ini, tanyakan pada Pusat Layanan Makita terdekat.

- Rakitan pemandu kelurusan
- Rakitan pemandu alat potong
- Pemandu mal
- Konus kolet 6 mm
- Kunci pas 10
- Kunci pas 17
- Rakitan dudukan alat potong
- Sepatu alat potong

Mata mesin frais tangan

Mata mesin lurus (Gb. 22)

mm

	D	A	L1	L2
20	6	20	50	15
20E	1/4"			
8	6	8	50	18
8E	1/4"			
6	6	6	50	18
6E	1/4"			

006485

Mata mesin pembuat alur "U" (Gb. 23)

mm

	D	A	L1	L2	R
6	6	6	60	28	3
6E	1/4"				

006486

Mata mesin pembuat alur "V" (Gb. 24)

mm

D	A	L1	L2	θ
1/4"	20	50	15	90°

006454

Mata mesin pemotongan benam berujung bor (Gb. 25)

mm

	D	A	L1	L2	L3
6	6	6	60	18	28
6E	1/4"				

006487

Mata mesin pemotongan benam ganda berujung bor (Gb. 26)

mm

	D	A	L1	L2	L3	L4
6	6	6	70	40	12	14
6E	1/4"					

006488

Mata mesin pembulat sudut (Gb. 27)

mm

	D	A1	A2	L1	L2	L3	R
8R	6	25	9	48	13	5	8
8RE	1/4"						
4R	6	20	8	45	10	4	4
4RE	1/4"						

006489

Mata mesin pemotong miring (Gb. 28)

mm

D	A	L1	L2	L3	θ
6	23	46	11	6	30°
6	20	50	13	5	45°
6	20	49	14	2	60°

006462

Mata mesin profil hias (Gb. 29)

mm

D	A	L1	L2	R
6	20	43	8	4
6	25	48	13	8

006464

Mata mesin pemotongan benam berbantal peluru (Gb. 30)

mm

D	A	L1	L2
6	10	50	20
1/4"			

006465

Mata mesin pembulat sudut berbantal peluru (Gb. 31)

mm

D	A1	A2	L1	L2	L3	R
6	15	8	37	7	3,5	3
6	21	8	40	10	3,5	6
1/4"	21	8	40	10	3,5	6

006466

Mata mesin pemotong miring berbantal peluru (Gb. 32)

mm

D	A1	A2	L1	L2	θ
6	26	8	42	12	45°
1/4"					
6	20	8	41	11	60°

006467

Mata mesin profil berbantal peluru (Gb. 33)

mm

D	A1	A2	A3	L1	L2	L3	R
6	20	12	8	40	10	5,5	4
6	26	12	8	42	12	4,5	7

006468

Mata mesin profil hias berbantal peluru (Gb. 34)

mm

D	A1	A2	A3	A4	L1	L2	L3	R
6	20	18	12	8	40	10	5,5	3
6	26	22	12	8	42	12	5	5

006469

Mata mesin profil romawi berbantal peluru (Gb. 35)

mm

D	A1	A2	L1	L2	L3	R1	R2
6	20	8	40	10	4,5	2,5	4,5
6	26	8	42	12	4,5	3	6

006470

CATATAN:

- Beberapa item dalam daftar tersebut mungkin sudah termasuk dalam paket mesin sebagai aksesoris standar. Hal tersebut dapat berbeda dari satu negara ke negara lainnya.

TIẾNG VIỆT

Giải thích về hình vẽ tổng thể

- | | | |
|---------------------------------------|-------------------------|-------------------------|
| 1. Nhân thang đo | 12. Phần bảo vệ đế | 24. Lỗ ở giữa |
| 2. Ốc xiết | 13. Vít | 25. Đinh ốc |
| 3. Cần gạt công tắc | 14. Đế | 26. Ốc điều chỉnh |
| 4. Vặn lỏng | 15. Mũi vít | 27. Ốc xiết (B) |
| 5. Vặn chặt | 16. Khuôn mẫu | 28. Thanh dẫn cắt tia |
| 6. Giữ | 17. Thanh dẫn khuôn mẫu | 29. Tấm dẫn vụn bào |
| 7. Vật gia công | 18. Bulong | 30. Giá đỡ thanh dẫn |
| 8. Hướng xoay đầu mũi | 19. Tấm cữ | 31. Trục xoay dẫn hướng |
| 9. Góc nhìn từ trên xuống của dụng cụ | 20. Vòng đệm dẹt | 32. Đế đánh cạnh |
| 10. Hướng nạp | 21. Vòng đệm dạng sóng | 33. Vạch giới hạn |
| 11. Thanh dẫn thẳng | 22. Ốc tai vặn | 34. Tuốc-nơ-vít |
| | 23. Ốc xiết (A) | 35. Nắp giữ chổi |

THÔNG SỐ KỸ THUẬT

Kiểu	N3701
Công suất ngắt kẹp lỏng	6,0 mm hoặc 1/4"
Tốc độ không tải (phút ⁻¹)	30.000
Chiều dài tổng thể	220 mm
Khối lượng tịnh	1,6 kg
Cấp độ an toàn	Cấp I

- Do chương trình nghiên cứu và phát triển liên tục của chúng tôi nên các thông số kỹ thuật trong đây có thể thay đổi mà không cần thông báo trước.
- Các thông số kỹ thuật có thể thay đổi tùy theo từng quốc gia.
- Khối lượng tùy theo Quy trình EPTA tháng 01/2003

END224-1

Ký hiệu

Phần dưới đây cho biết các ký hiệu được dùng cho thiết bị. Đảm bảo rằng bạn hiểu rõ ý nghĩa của các ký hiệu này trước khi sử dụng.



.... Đọc tài liệu hướng dẫn.

ENE010-1

Mục đích sử dụng

Dụng cụ này nhằm mục đích cắt xén bằng phẳng và theo hình dạng cho gỗ, nhựa và các vật liệu tương tự.

ENF001-1

Nguồn cấp điện

Dụng cụ này chỉ được nối với nguồn cấp điện có điện áp giống như đã chỉ ra trên biển tên và chỉ có thể được vận hành trên nguồn điện AC mt pha. Dụng cụ này cần phải được nối đất trong lúc sử dụng để đảm bảo người vận hành không bị điện giật. Chỉ sử dụng các dây điện nối dài loại ba lõi với các phích cắm loại ba chấu có tiếp đất và các ổ cắm điện ba chấu dùng cho phích cắm của dụng cụ.

GEA005-3

Cảnh báo An toàn Chung dành cho Dụng cụ Máy

⚠ CẢNH BÁO! Đọc tất cả các cảnh báo an toàn và hướng dẫn. Việc không tuân theo các cảnh báo và hướng dẫn có thể dẫn đến điện giật, hỏa hoạn và/hoặc thương tích nghiêm trọng.

Lưu giữ tất cả cảnh báo và hướng dẫn để tham khảo sau này.

Thuật ngữ "dụng cụ máy" trong các cảnh báo đề cập đến dụng cụ máy (có dây) được vận hành bằng nguồn điện chính hoặc dụng cụ máy (không dây) được vận hành bằng pin của bạn.

An toàn tại nơi làm việc

- Giữ nơi làm việc sạch sẽ và có đủ ánh sáng.** Nơi làm việc bừa bộn hoặc tối thường dễ gây ra tai nạn.
- Không vận hành dụng cụ máy trong môi trường cháy nổ, ví dụ như môi trường có sự hiện diện của các chất lỏng, khí hoặc bụi dễ cháy.** Các dụng cụ máy tạo tia lửa điện có thể làm bụi hoặc khí bốc cháy.
- Giữ trẻ em và người ngoài tránh xa nơi làm việc khi đang vận hành dụng cụ máy.** Sự xao lãng có thể khiến bạn mất khả năng kiểm soát.

An toàn về điện

- Phích cắm của dụng cụ máy phải khớp với ổ cắm. Không bao giờ được sửa đổi phích cắm theo bất kỳ cách nào. Không sử dụng bất kỳ phích chuyển đổi nào với các dụng cụ máy được nối đất (tiếp đất). Các phích cắm còn nguyên vẹn và ổ cắm phù hợp sẽ giảm nguy cơ điện giật.**
- Tránh để cơ thể tiếp xúc với các bề mặt nối đất hoặc tiếp đất như đường ống, bộ tản nhiệt, bếp ga và tủ lạnh.** Nguy cơ bị điện giật sẽ tăng lên nếu cơ thể bạn được nối đất hoặc tiếp đất.
- Không để dụng cụ máy tiếp xúc với mưa hoặc trong điều kiện ẩm ướt.** Nước lọt vào dụng cụ máy sẽ làm tăng nguy cơ điện giật.

7. **Không lạm dụng dây.** Không bao giờ sử dụng dây đề mang, kéo hoặc tháo phích cắm dụng cụ máy. Giữ dây tránh xa nguồn nhiệt, dầu, các mép sắc hoặc các bộ phận chuyển động. Dây bị hỏng hoặc bị rối sẽ làm tăng nguy cơ điện giật.
8. **Khi vận hành dụng cụ máy ngoài trời, hãy sử dụng dây kéo dài phù hợp cho việc sử dụng ngoài trời.** Việc dùng dây phù hợp cho việc sử dụng ngoài trời sẽ giảm nguy cơ điện giật.
9. **Nếu bắt buộc phải vận hành dụng cụ máy ở nơi ẩm ướt, hãy sử dụng nguồn cấp điện được bảo vệ bằng thiết bị ngắt dòng điện rò (RCD).** Việc sử dụng RCD sẽ giảm nguy cơ điện giật.
10. **Chúng tôi luôn khuyên bạn sử dụng nguồn cấp điện qua thiết bị ngắt dòng điện dư định mức 30 mA hoặc thấp hơn.**

An toàn cá nhân

11. **Luôn tinh táo, quan sát những việc bạn đang làm và sử dụng những phán đoán theo kinh nghiệm khi vận hành dụng cụ máy.** Không sử dụng dụng cụ máy khi bạn đang mang mệt mỏi hoặc chịu ảnh hưởng của ma túy, rượu hay thuốc. Chỉ một khoảng khắc không tập trung khi đang vận hành dụng cụ máy cũng có thể dẫn đến thương tích cá nhân nghiêm trọng.
12. **Sử dụng thiết bị bảo hộ cá nhân.** Luôn đeo thiết bị bảo vệ mắt. Các thiết bị bảo hộ như mặt nạ chống bụi, giày an toàn chống trượt, mũ bảo hộ hay thiết bị bảo vệ thính giác được sử dụng trong các điều kiện thích hợp sẽ giúp giảm thương tích cá nhân.
13. **Tránh vô tình khởi động dụng cụ máy.** Đảm bảo công tắc ở vị trí off (tắt) trước khi nối nguồn điện và/hoặc bộ pin, cắm hoặc mang dụng cụ máy. Việc mang dụng cụ máy khi đang đặt ngón tay ở vị trí công tắc hoặc cấp điện cho dụng cụ máy đang bật thường dễ gây ra tai nạn.
14. **Tháo mọi khoá hoặc chia vận điều chỉnh trước khi bật dụng cụ máy.** Việc chia vận hoặc khoá vẫn còn gắn vào bộ phận quay của dụng cụ máy có thể dẫn đến thương tích cá nhân.
15. **Không vội quá cao.** Luôn giữ thăng bằng tốt và có chỗ để chân phù hợp. Điều này cho phép điều khiển dụng cụ máy tốt hơn trong những tình huống bất ngờ.
16. **Ăn mặc phù hợp. Không mặc quần áo rộng hay đeo đồ trang sức.** Giữ tóc, quần áo và găng tay tránh xa các bộ phận chuyển động. Quần áo rộng, đồ trang sức hay tóc dài có thể mắc vào các bộ phận chuyển động.
17. **Nếu cần thiết bị được cung cấp để kết nối các thiết bị thu gom và hút bụi, hãy đảm bảo chúng được kết nối và sử dụng hợp lý.** Việc sử dụng thiết bị thu gom bụi có thể làm giảm những mối nguy hiểm liên quan đến bụi.

Sử dụng và bảo quản dụng cụ máy

18. **Không dùng lực đối với dụng cụ máy.** Sử dụng đúng dụng cụ máy cho công việc của bạn. Sử dụng đúng dụng cụ máy sẽ giúp thực hiện công việc tốt hơn và an toàn hơn theo giá trị định mức được thiết kế của dụng cụ máy đó.
19. **Không sử dụng dụng cụ máy nếu công tắc không bật và tắt được dụng cụ máy đó.** Mọi dụng cụ máy không thể điều khiển được bằng công tắc đều rất nguy hiểm và cần được sửa chữa.

20. **Rút phích cắm ra khỏi nguồn điện và/hoặc ngắt kết nối bộ pin khỏi dụng cụ máy trước khi thực hiện bất kỳ công việc điều chỉnh, thay đổi phụ tùng hay cắt giữ dụng cụ máy nào.** Những biện pháp an toàn phòng ngừa này sẽ giảm nguy cơ vô tình khởi động vô tình dụng cụ máy.
21. **Cắt giữ các dụng cụ máy không sử dụng ngoài tầm với của trẻ em và không cho bất kỳ người nào không có hiểu biết về dụng cụ máy hoặc các hướng dẫn này vận hành dụng cụ máy.** Dụng cụ máy sẽ rất nguy hiểm nếu được sử dụng bởi những người dùng chưa qua đào tạo.
22. **Bảo quản dụng cụ máy.** Kiểm tra tình trạng lệch trục hoặc bó kẹt của các bộ phận chuyển động, hiện tượng nứt vỡ của các bộ phận và mọi tình trạng khác mà có thể ảnh hưởng đến hoạt động của dụng cụ máy. Nếu có hỏng hóc, hãy sửa chữa dụng cụ máy trước khi sử dụng. Nhiều tai nạn xảy ra là do không bảo quản tốt dụng cụ máy.
23. **Luôn giữ cho dụng cụ cắt được sắc bén và sạch sẽ.** Những dụng cụ cắt được bảo quản tốt có mép cắt sắc sẽ ít bị kẹt hơn và dễ điều khiển hơn.
24. **Sử dụng dụng cụ máy, phụ tùng và đầu dụng cụ cắt, v.v... theo các hướng dẫn này, có tính đến điều kiện làm việc và công việc được thực hiện.** Việc sử dụng dụng cụ máy cho các công việc khác với công việc dự định có thể gây nguy hiểm.

Bảo dưỡng

25. **Đề nghị viên sửa chữa đủ trình độ bảo dưỡng dụng cụ máy của bạn và chỉ sử dụng các bộ phận thay thế đồng nhất.** Việc này sẽ đảm bảo duy trì được độ an toàn của dụng cụ máy.
26. **Tuân theo hướng dẫn dành cho việc bôi trơn và thay phụ tùng.**
27. **Giữ tay cầm khô, sạch, không dính dầu và mỡ.**

GEB019-3

CẢNH BÁO AN TOÀN MÁY ĐÁNH CẠNH

1. **Giữ dụng cụ máy bằng các bề mặt kẹp cách điện, vì lưỡi cắt có thể tiếp xúc với dây điện của chính nó.** Việc cắt một dây dẫn "có điện" có thể khiến các bộ phận kim loại bị hở của dụng cụ máy "có điện" và làm cho người vận hành bị điện giật.
2. **Sử dụng các chốt kẹp hoặc những cách thực tế khác để giữ chặt và đỡ lấy vật gia công trên phần nền vững chắc.** Nắm giữ vật phẩm bằng tay hoặc để tựa lên người của bạn sẽ làm máy không ổn định và có thể dẫn tới mất kiểm soát.
3. **Mang thiết bị bảo vệ tai khi làm việc trong thời gian kéo dài.**
4. **Bảo quản các đầu mũi thật cẩn thận.**
5. **Kiểm tra đầu mũi thật cẩn thận xem có nứt hoặc hư hỏng gì không trước khi vận hành.** Thay thế đầu mũi bị nứt hoặc hư hỏng ngay lập tức.
6. **Tránh cắt phải đinh.** Kiểm tra và gỡ bỏ tất cả các đinh khỏi vật gia công trước khi vận hành.
7. **Cầm chắc dụng cụ.**
8. **Giữ tay tránh xa các bộ phận quay.**
9. **Phải đảm bảo rằng đầu mũi không tiếp xúc với vật gia công trước khi bật công tắc lên.**

10. Trước khi dùng công cụ này trên một vật gia công thực tế, cần để thiết bị chạy một chút. Kiểm tra xem có rung động hoặc lắc giạt nào có thể cho biết đầu mũi được lắp không đúng cách.
11. Cần thận đối với hướng xoay của đầu mũi và hướng nạp.
12. Không để mặc dụng cụ hoạt động. Chỉ vận hành dụng cụ khi cầm trên tay.
13. Luôn tắt công tắc và chờ cho đầu mũi ngừng hoàn toàn trước khi đưa dụng cụ ra khỏi vật gia công.
14. Không chạm vào đầu mũi khoan ngay sau khi vận hành; chúng có thể rất nóng và có thể gây bỏng da.
15. Không được bắt cần làm vấy bẩn để dụng cụ bằng dung môi, xăng, dầu hoặc hóa chất tương tự. Chúng có thể gây ra các vết nứt trên đế dụng cụ.
16. Cần lưu ý nhu cầu sử dụng các dao cắt có đúng đường kính thân và chủng loại phù hợp với tốc độ của dụng cụ.
17. Một số vật liệu có thể chứa hoá chất độc. Phải cẩn trọng tránh hít phải bụi và để tiếp xúc với da. Tuân theo dữ liệu an toàn của nhà cung cấp vật liệu.
18. Luôn luôn sử dụng đúng mặt nạ chống bụi/khẩu trang đối với loại vật liệu và ứng dụng bạn đang làm việc.

LƯU GIỮ CÁC HƯỚNG DẪN NÀY.

⚠ CẢNH BÁO:

KHÔNG được để sự thoải mái hay quen thuộc với sản phẩm (có được do sử dụng nhiều lần) thay thế việc tuân thủ nghiêm ngặt các quy định về an toàn dành cho sản phẩm này. **VIỆC DÙNG SAI** hoặc không tuân theo các quy định về an toàn được nêu trong tài liệu hướng dẫn này có thể dẫn đến thương tích cá nhân nghiêm trọng.

MÔ TẢ CHỨC NĂNG

⚠ CẢN TRỌNG:

- Phải luôn đảm bảo rằng dụng cụ đã được tắt điện và ngắt kết nối trước khi chỉnh sửa hoặc kiểm tra chức năng của dụng cụ.

Điều chỉnh độ sâu cắt (Hình 3)

Đặt dụng cụ trên bề mặt phẳng. Vận lỏng ốc xiết và di chuyển thân dụng cụ cho đến khi nào đầu mũi vừa chạm với bề mặt phẳng đó. Vận ốc xiết lại nhẹ nhàng. Đặt dụng cụ lên cạnh của nó và nới lỏng ốc xiết. Di chuyển đế dụng cụ cho đến khi đạt được chiều sâu cắt mong muốn. Có thể kiểm tra chiều sâu cắt bằng nhãn thang đo (1 mm mỗi vạch chia độ) trên dụng cụ. Sau đó vận chặt các ốc xiết lại.

Hoạt động công tắc (Hình 2)

⚠ CẢN TRỌNG:

- Trước khi cắm phích điện cho dụng cụ, luôn đảm bảo rằng dụng cụ đã được tắt.

Để khởi động dụng cụ, trượt cần gạt công tắc về vị trí I.

Để ngừng dụng cụ, trượt cần gạt công tắc về vị trí O.

LẮP RÁP

⚠ CẢN TRỌNG:

- Luôn luôn đảm bảo rằng dụng cụ đã được tắt và tháo phích cắm trước khi dùng dụng cụ thực hiện bất cứ công việc nào.

Lắp hoặc tháo đầu mũi đánh cạnh (Hình 3)

⚠ CẢN TRỌNG:

- Không được vận chặt đai ốc ống lồng mà không lắp đầu mũi vào, nếu không trụ ống lồng sẽ bị bể.
 - Chỉ sử dụng loại cờ-lê để kìm với dụng cụ.
- Lắp đầu mũi vào hết trong trụ ống lồng và vận chặt đai ốc ống lồng thật chắc bằng hai cái cờ-lê.
- Để tháo đầu mũi, hãy làm ngược lại quy trình lắp vào.

VẬN HÀNH

Đặt đế dụng cụ lên vật gia công sẽ cắt mà không làm va chạm đầu mũi vào bất cứ vật gì. Sau đó bật dụng cụ lên và chờ đến khi đầu mũi đạt tốc độ tối đa. Di chuyển phần thân dụng cụ về phía trước bên trên bề mặt vật gia công, giữ cho đế dụng cụ ngang bằng và đưa về trước nhẹ nhàng cho đến khi nào cắt xong.

Khi tiến hành cắt mép, bề mặt vật gia công phải ở bên trái của đầu mũi theo hướng nạp. (Hình 4)

LƯU Ý:

- Di chuyển dụng cụ về phía trước quá nhanh có thể làm cho chất lượng vết cắt kém đi hoặc gây hư hỏng đầu mũi hoặc motor. Di chuyển dụng cụ về phía trước quá chậm có thể làm vết cắt sâu hoặc bị hỏng. Tốc độ nạp phù hợp sẽ tùy theo kích thước đầu mũi, loại vật gia công và chiều sâu cắt. Trước khi bắt đầu cắt trên vật gia công thực tế, tốt nhất hãy thực hiện cắt thử trên miếng gỗ vụn. Điều này sẽ cho biết chính xác vết cắt là như thế nào cũng như để bạn kiểm tra các kích thước.

LƯU Ý:

- Khi sử dụng loại đế đánh cạnh, thanh dẫn thẳng hoặc thanh dẫn đánh cạnh, cần đảm bảo lắp nó ở bên phải của hướng đẩy. Điều này sẽ giúp nó ngang bằng với mặt bên của vật gia công. (Hình 5)

⚠ CẢN TRỌNG:

- Do việc cắt quá mức có thể làm động cơ quá tải hoặc gặp khó khăn khi điều khiển dụng cụ, chiều sâu cắt không nên vượt quá 3 mm mỗi lượt khi cắt các rãnh. Khi bạn muốn cắt các rãnh có chiều sâu lớn hơn 3 mm, hãy thực hiện vài lượt cắt với cài đặt đầu mũi sâu hơn.

Thanh dẫn khuôn mẫu

Thanh dẫn khuôn mẫu có một ống trụ ngoài mà đầu mũi sẽ xuyên qua, cho phép sử dụng máy đánh cạnh với các mẫu khuôn. (Hình 6)

Tháo tấm dẫn vụn bảo.

Nới lỏng các vít và tháo tấm dẫn vụn bảo. Đặt thanh dẫn khuôn mẫu lên đế và thay thế bộ phận bảo vệ đế. Sau đó cố định bộ phận bảo vệ đế bằng cách vận chặt các vít.

(Hình 7)

Giữ chặt khuôn mẫu vào vật gia công. Đặt dụng cụ lên khuôn mẫu và di chuyển dụng cụ với thanh dẫn khuôn mẫu trượt dọc mặt bên khuôn mẫu. **(Hình 8)**

LƯU Ý:

- Vật gia công sẽ được cắt với kích thước hơi khác một chút so với khuôn mẫu. Cho phép khoảng cách (X) giữa đầu mũi máy bào xoi và bên ngoài của thanh dẫn khuôn mẫu. Khoảng cách (X) có thể được tính toán bằng phương trình sau:
Khoảng cách (X) = (đường kính ngoài thanh dẫn khuôn mẫu - đường kính đầu mũi máy bào xoi) / 2

Thanh dẫn thẳng

Thanh dẫn thẳng được sử dụng rất hiệu quả cho các đường cắt thẳng khi vật góc hoặc tạo rãnh. **(Hình 9)**
Gắn tấm cứ vào thanh dẫn thẳng bằng bulông, vòng đệm dạng sóng, vòng đệm dẹt và ốc tai vện. **(Hình 10)**
Tháo tấm dẫn vận bào.
Gắn thanh dẫn thẳng bằng ốc xiết (A). Nới lỏng ốc tai vện trên thanh dẫn thẳng và điều chỉnh khoảng cách giữa đầu mũi và thanh dẫn thẳng. Tại khoảng cách ưa thích, xiết chặt ốc tai vện thật chắc. **(Hình 11)**
Khi cắt, hãy di chuyển dụng cụ sao cho thanh dẫn thẳng ngang bằng với mặt bên của vật gia công.

Công tác dạng tròn

Có thể thực hiện công tác dạng tròn nếu bạn gắn thanh dẫn thẳng và tấm cứ như trình bày trong các hình sau. **(Hình 12 & Hình 13)**
Bán kính tối thiểu và tối đa của các vòng tròn được cắt (khoảng cách giữa tâm vòng tròn và tâm đầu mũi) sẽ như sau:
Tối thiểu: 70 mm
Tối đa: 221 mm
Để cắt các vòng tròn có bán kính từ 70 mm đến 121 mm.
Để cắt các vòng tròn bán kính từ 121 mm đến 221 mm.

LƯU Ý:

- Các vòng tròn có bán kính từ 172 mm đến 186 mm không thể cắt được bằng thanh dẫn này.
Căn chỉnh lỗ giữa trên thanh dẫn hướng thẳng theo tâm vòng tròn sẽ cắt. Đóng một chiếc đinh đường kính nhỏ hơn 6 mm vào lỗ giữa để giữ chặt thanh dẫn hướng thẳng. Quay dụng cụ xung quanh chiếc đinh đó theo chiều kim đồng hồ. **(Hình 14)**

Thanh dẫn cắt tia

Các đường cắt xết, uốn cong cho các tấm trang trí cho đồ nội thất và các vật dụng tương tự có thể được thực hiện dễ dàng bằng thanh dẫn cắt tia. Trục xoay dẫn hướng sẽ dẫn thành đường cong và đảm bảo tạo ra vết cắt chi tiết. **(Hình 15)**
Gắn tấm dẫn vận bào vào rãnh trên đế. Sau đó lắp thanh dẫn đánh cạnh và giá đỡ thanh dẫn lên đế dụng cụ bằng ốc xiết (A). Nới lỏng ốc xiết (B) và điều chỉnh khoảng cách giữa đầu mũi và thanh dẫn đánh cạnh bằng cách xoay vít điều chỉnh (1 mm mỗi vòng xoay). Tại khoảng cách mong muốn, vặn chặt ốc xiết (B) để giữ chặt thanh dẫn đánh cạnh đúng vị trí. **(Hình 16)**
Khi cắt, hãy di chuyển dụng cụ sao cho trục xoay dẫn hướng đi theo mặt bên của vật gia công. **(Hình 17)**

Đế đánh cạnh (Phụ kiện tùy chọn)

Bằng cách gắn đế đánh cạnh, bạn có thể có được một bề mặt dẫn hướng hình chữ nhật để dẫn hướng phần đế máy đánh cạnh. Cách này cho phép vật góc và tạo hình cạnh tương tự đạt độ chính xác. **(Hình 18)**
Tháo thanh dẫn đánh cạnh ra khỏi dụng cụ. Lắp đế đánh cạnh lên đế dụng cụ bằng vít điều chỉnh và ốc xiết (B). Nới lỏng ốc xiết (B) và điều chỉnh khoảng cách giữa đầu mũi và đế đánh cạnh bằng cách xoay vít điều chỉnh (1 mm mỗi vòng xoay). Tại khoảng cách mong muốn, vặn chặt ốc xiết (B) để giữ chặt đế đánh cạnh đúng vị trí. Khi cắt, hãy đẩy dụng cụ theo hướng mũi tên trên đế đánh cạnh. **(Hình 19)**

BẢO TRÌ

⚠ CẢM TRỌNG:

- Hãy luôn chắc chắn rằng dụng cụ đã được tắt và ngắt kết nối trước khi cố gắng thực hiện việc kiểm tra hay bảo dưỡng.
- Không bao giờ dùng xăng, ét xăng, dung môi, cồn hoặc hóa chất tương tự. Có thể xảy ra hiện tượng mất màu, biến dạng hoặc nứt vỡ.

Thay thế các chổi các-bon

Hãy tháo và kiểm tra các chổi các-bon định kỳ. Thay thế khi chổi đã mòn đến vạch giới hạn. Hãy giữ cho các chổi các-bon sạch sẽ và không quấn vào trong các đầu giữ. Các chổi các-bon nên được thay thế cùng lúc. Hãy sử dụng các chổi các-bon giống nhau. **(Hình 20)**
Hãy sử dụng một tuốc-nơ-vít để tháo các nắp giữ chổi. Hãy tháo các chổi các-bon đã bị mòn, lắp vào các chổi mới và vặn chặt các nắp giữ chổi. **(Hình 21)**
Để đảm bảo AN TOÀN và TIN CẬY của sản phẩm, việc sửa chữa hoặc bất cứ thao tác bảo trì, điều chỉnh nào đều phải được thực hiện bởi các Trung tâm Dịch vụ Được Ủy quyền của Makita (Makita Authorized Service Center), luôn sử dụng các phụ tùng thiết bị thay thế của Makita.

PHỤ KIỆN TÙY CHỌN

⚠ CẢM TRỌNG:

- Các phụ kiện hoặc phụ tùng gắn thêm này được khuyến cáo sử dụng với dụng cụ Makita của bạn theo như quy định trong hướng dẫn này. Việc sử dụng bất cứ phụ kiện hoặc phụ tùng gắn thêm nào khác đều có thể gây ra rủi ro thương tích cho người. Chỉ sử dụng phụ kiện hoặc phụ tùng gắn thêm cho mục đích đã quy định sẵn của chúng.

Nếu bạn cần hỗ trợ để biết thêm chi tiết về những phụ kiện này, hãy liên hệ với Trung tâm Dịch vụ của Makita tại địa phương của bạn.

- Bộ phận thanh dẫn thẳng
- Bộ phận thanh dẫn đánh cạnh
- Thanh dẫn khuôn mẫu
- Ong trụ lồng 6 mm
- Cờ-lê số 10
- Cờ-lê số 17
- Bộ phận đế máy đánh cạnh
- Đế đánh cạnh

Đầu mũi máy bào xoi

Đầu mũi thẳng (Hình 22)

mm

	D	A	L1	L2
20	6	20	50	15
20E	1/4"			
8	6	8	50	18
8E	1/4"			
6	6	6	50	18
6E	1/4"			

006485

Đầu mũi tạo rãnh chữ "U" (Hình 23)

mm

	D	A	L1	L2	R
6	6	6	60	28	3
6E	1/4"				

006486

Đầu mũi tạo rãnh chữ "V" (Hình 24)

mm

D	A	L1	L2	θ
1/4"	20	50	15	90°

006454

Đầu mũi đánh cạnh ngang điểm khoan (Hình 25)

mm

	D	A	L1	L2	L3
6	6	6	60	18	28
6E	1/4"				

006487

Đầu mũi đánh cạnh ngang hai điểm khoan (Hình 26)

mm

	D	A	L1	L2	L3	L4
6	6	6	70	40	12	14
6E	1/4"					

006488

Đầu mũi tạo góc tròn (Hình 27)

mm

	D	A1	A2	L1	L2	L3	R
8R	6	25	9	48	13	5	8
8RE	1/4"						
4R	6	20	8	45	10	4	4
4RE	1/4"						

006489

Đầu mũi vát cạnh (Hình 28)

mm

D	A	L1	L2	L3	θ
6	23	46	11	6	30°
6	20	50	13	5	45°
6	20	49	14	2	60°

006462

Đầu mũi xoi tròn (Hình 29)

mm

D	A	L1	L2	R
6	20	43	8	4
6	25	48	13	8

006464

Đầu mũi đánh cạnh ngang dạng bạc đạn (Hình 30)

mm

D	A	L1	L2
6	10	50	20
1/4"			

006465

Đầu mũi tạo góc tròn dạng bạc đạn (Hình 31)

mm

D	A1	A2	L1	L2	L3	R
6	15	8	37	7	3,5	3
6	21	8	40	10	3,5	6
1/4"	21	8	40	10	3,5	6

006466

Đầu mũi vát góc dạng bạc đạn (Hình 32)

mm

D	A1	A2	L1	L2	θ
6	26	8	42	12	45°
1/4"					
6	20	8	41	11	60°

006467

Đầu mũi xoi tròn dạng bạc đạn (Hình 33)

mm

D	A1	A2	A3	L1	L2	L3	R
6	20	12	8	40	10	5,5	4
6	26	12	8	42	12	4,5	7

006468

Đầu mũi xoi tròn dạng bạc đạn (Hình 34)

mm

D	A1	A2	A3	A4	L1	L2	L3	R
6	20	18	12	8	40	10	5,5	3
6	26	22	12	8	42	12	5	5

006469

Đầu mũi vòm La Mã dạng bạc đạn (Hình 35)

mm

D	A1	A2	L1	L2	L3	R1	R2
6	20	8	40	10	4,5	2,5	4,5
6	26	8	42	12	4,5	3	6

006470

LƯU Ý:

- Một vài mục trong danh sách có thể được bao gồm trong gói dụng cụ làm phụ kiện tiêu chuẩn. Các thông số kỹ thuật có thể thay đổi tùy theo từng quốc gia.

คำอธิบายของมุมมองทั่วไป

- | | | |
|---------------------------------|---------------------|---------------------|
| 1. ผลาสเกล | 13. สกรู | 25. ตะปู |
| 2. สกรูยึด | 14. ฐาน | 26. สกรูปรับ |
| 3. ก้านสวิตช์ | 15. ดอกฉลุ | 27. สกรูกันคลาย (B) |
| 4. คลาย | 16. แบบ | 28. รางแนวเส้น |
| 5. ชั้น | 17. แนวแม่แบบ | 29. ที่ปิดเศษไม้ |
| 6. จับ | 18. สลักเกลียว | 30. ตัวยึดตรง |
| 7. ชั้นงาน | 19. แผ่นนำทาง | 31. ลูกกลิ้งนำทาง |
| 8. ทิศทางการหมุนของดอกฉลุ | 20. แหวน | 32. รองเท้าฉลุ |
| 9. มุมมองจากด้านบนของเครื่องมือ | 21. แหวนหยัก | 33. ซีตจำกัด |
| 10. ทิศทางการป้อน | 22. แป้นเกลียวปีก | 34. ไขควง |
| 11. รางแนวตรง | 23. สกรูกันคลาย (A) | 35. ฝาปิดที่ยึดแปรง |
| 12. ตัวป้องกันฐาน | 24. รูศูนย์กลาง | |

ข้อมูลจำเพาะ

รุ่น	N3701
ขนาดหัวจับดอก	6.0 มม. หรือ 1/4"
ความเร็วขณะหมุนเปล่า (รอบต่อนาที)	30,000
ความยาวโดยรวม	220 มม.
น้ำหนักสุทธิ	1.6 กก.
มาตรฐานความปลอดภัย	คลาส I

- เนื่องจากมีการค้นคว้าวิจัยและพัฒนาอย่างต่อเนื่อง ข้อมูลจำเพาะในเอกสารฉบับนี้อาจเปลี่ยนแปลงได้โดยไม่ต้องแจ้งให้ทราบล่วงหน้า
- ข้อมูลจำเพาะอาจแตกต่างกันไปในแต่ละประเทศ
- น้ำหนักตามข้อบังคับของ EPTA 01/2003

ENE224-1

ENF001-1

สัญลักษณ์

ต่อไปนี้เป็นสัญลักษณ์ที่ใช้สำหรับอุปกรณ์ โปรดศึกษาความหมายของสัญลักษณ์ให้เข้าใจก่อนการใช้งาน



....อ่านคู่มือการใช้งาน

ENE010-1

จุดประสงค์ของเครื่องมือ

เครื่องมือนี้ใช้สำหรับการเจาะและทำลวดลายบนไม้ พลาสติก หรือวัสดุที่มีลักษณะเดียวกัน

การจ่ายไฟ

ต้องเชื่อมต่อเครื่องมือกับเครื่องจ่ายไฟที่มีแรงเคลื่อนไฟฟ้าตามที่ระบุไว้ในป้ายข้อมูลเครื่องมือ และจะต้องใช้ไฟฟ้ากระแสสลับแบบเฟสเดียวเท่านั้น ต้องเชื่อมต่อสายดินในขณะที่ใช้งานเพื่อป้องกันผู้ปฏิบัติงานจากการถูกไฟฟ้าดูด ใช้แต่สายไฟต่อแบบสามสายที่มีปลั๊กแบบสามขาและตัวรับแบบสามรูเท่านั้น

GEA005-3

คำเตือนด้านความปลอดภัยของเครื่องมือไฟฟ้าทั่วไป

⚠ คำเตือน อ่านคำเตือนด้านความปลอดภัยและคำแนะนำทั้งหมด
การไม่ปฏิบัติตามคำเตือนและคำแนะนำดังกล่าวอาจส่งผลให้เกิดไฟฟ้าช็อต ไฟไหม้ และ/หรือได้รับบาดเจ็บอย่างร้ายแรง

เก็บรักษาค่าเตือนและคำแนะนำทั้งหมดไว้ เป็นข้อมูลอ้างอิงในอนาคต

คำว่า “เครื่องมือไฟฟ้า” ในคำเตือนนี้ หมายถึง เครื่องมือไฟฟ้า (มีสาย) ที่ทำงานโดยใช้กระแสไฟฟ้า หรือเครื่องมือไฟฟ้า (ไร้สาย) ที่ทำงานโดยใช้แบตเตอรี่

ความปลอดภัยของพื้นที่ทำงาน

1. **ดูแลพื้นที่ทำงานให้มีความสะอาดและมีแสงไฟสว่าง** พื้นที่กระจกเงาระยะหรือมิดที่บอานำไปสู่การเกิดอุบัติเหตุได้
2. **อย่าใช้งานเครื่องมือไฟฟ้าในสภาพที่อาจเกิดการระเบิด เช่น ในสถานที่ที่มีของเหลว ก๊าซ หรือฝุ่นผงที่มีคุณสมบัติไวไฟ** เครื่องมือไฟฟ้าจะสร้างประกายไฟเพื่อจุดชนวนฝุ่นผงหรือก๊าซดังกล่าว
3. **ดูแลไม่ให้มีเด็กๆ หรือบุคคลอื่นอยู่ในบริเวณที่กำลังใช้เครื่องมือไฟฟ้า** การมีสิ่งรบกวนสมาธิอาจทำให้คุณสูญเสียการควบคุม

ความปลอดภัยด้านไฟฟ้า

4. **ปลั๊กของเครื่องมือไฟฟ้าต้องพอดีกับเต้ารับ อย่าตัดแปลงปลั๊กไม่ว่ากรณีใดๆ** อย่าใช้ปลั๊กอะแดปเตอร์กับเครื่องมือไฟฟ้าที่ต่อสายดิน ปลั๊กที่ไม่ถูกต้องและเต้ารับไฟที่เข้ากันพอดีจะช่วยลดความเสี่ยงของการเกิดไฟฟ้าช็อต
5. **ระวังอย่าให้ร่างกายสัมผัสกับพื้นผิวที่ต่อสายดิน เช่น ท่อ เครื่องนำความร้อน เตาหุงต้ม และตู้เย็น** มีความเสี่ยงที่จะเกิดไฟฟ้าช็อตสูงขึ้น หากร่างกายของคุณสัมผัสกับพื้น
6. **อย่าให้เครื่องมือไฟฟ้าถูกน้ำหรืออยู่ในสภาพเปียกชื้น** น้ำที่ไหลเข้าไปในเครื่องมือไฟฟ้าจะเพิ่มความเสี่ยงของการเกิดไฟฟ้าช็อต
7. **อย่าใช้สายไฟอย่างไม่เหมาะสม** อย่าใช้สายไฟเพื่อยก ดึง หรือ ถอดปลั๊กเครื่องมือไฟฟ้า เก็บสายไฟให้ห่างจากความร้อน น้ำมัน ของมีคม หรือชิ้นส่วนที่เคลื่อนที่ สายที่ชำรุดหรือพันกันจะเพิ่มความเสี่ยงของการเกิดไฟฟ้าช็อต
8. **ขณะที่ใช้งานเครื่องมือไฟฟ้านอกอาคาร ควรใช้สายต่อพ่วงที่เหมาะสมกับภายนอกอาคาร** การใช้สายที่เหมาะสมกับภายนอกอาคารจะลดความเสี่ยงของการเกิดไฟฟ้าช็อต
9. **หากต้องใช้งานเครื่องมือไฟฟ้าในสถานที่เปียกชื้น ให้ใช้อุปกรณ์ป้องกันกระแสไฟรั่ว (RCD)** การใช้ RCD จะลดความเสี่ยงของการเกิดไฟฟ้าช็อต
10. **ขอแนะนำให้ใช้แหล่งจ่ายไฟผ่าน RCD ที่มีกระแสไฟรั่วในอัตราไม่เกิน 30 mA เสมอ**

ความปลอดภัยส่วนบุคคล

11. **ให้ระมัดระวัง และสังเกตเสมอว่าคุณกำลังทำอะไรอยู่ และใช้สามัญสำนึกในขณะที่ใช้งานเครื่องมือไฟฟ้า** อย่าใช้งานเครื่องมือไฟฟ้าในขณะที่คุณกำลังเหนื่อย หรือในสภาพที่มีเมฆมาจากยาเสพติด เครื่องดื่มแอลกอฮอล์ หรือการเมาแล้ว ชั่วขณะที่ขาดความระมัดระวังเมื่อกำลังใช้งานเครื่องมือไฟฟ้าอาจทำให้คุณได้รับบาดเจ็บอย่างรุนแรง
 12. **ใช้อุปกรณ์ป้องกันส่วนบุคคล สวมแว่นตาป้องกันเสมอ อุปกรณ์ป้องกัน เช่น หน้ากากกันฝุ่น รองเท้านิรภัยกันลื่น หมวกนิรภัย หรือเครื่องป้องกันการได้ยินที่ใช้ในสภาพที่เหมาะสมจะช่วยลดการบาดเจ็บ**
 13. **ป้องกันไม่ให้เปิดใช้งานอย่างไม่ตั้งใจ ตรวจสอบว่าสวิตช์อยู่ในตำแหน่งปิดก่อนเชื่อมต่อกับแหล่งจ่ายไฟ และ/หรือชุดแบตเตอรี่ หรือก่อนการยกหรือถือเครื่องมือ** การถอดนิ้วมือบริเวณสวิตช์เพื่อถือเครื่องมือไฟฟ้า หรือการชาร์จไฟเครื่องมือไฟฟ้าในขณะที่เปิดสวิตช์อยู่อาจนำไปสู่การเกิดอุบัติเหตุ
 14. **นำกฎฉบับปรับแต่งหรือประแจออกก่อนที่จะเปิดเครื่องมือไฟฟ้า** ประแจหรือกฎฉบับที่เสียบค้างอยู่ในชิ้นส่วนที่หมุนได้ของเครื่องมือไฟฟ้าอาจทำให้คุณได้รับบาดเจ็บ
 15. **อย่าทำงานในระยะที่สุดอเอ็ม จัดทำการย่นและการทรงตัวให้เหมาะสมตลอดเวลา** เพราะจะทำให้ควบคุมเครื่องมือไฟฟ้าได้ดีขึ้นในสถานการณ์ที่ไม่คาดคิด
 16. **แต่งกายให้เหมาะสม** อย่าสวมเครื่องแต่งกายที่หลวมเกินไป หรือสวมเครื่องประดับ **ดูแลไม่ให้เส้นผม เสื้อผ้า และถุงมืออยู่ใกล้ชิ้นส่วนที่เคลื่อนที่** เสื้อผ้า ร่มร่าม เครื่องประดับ หรือผมที่มีความยาวอาจเข้าไปติดในชิ้นส่วนที่เคลื่อนที่
 17. **หากมีการจัดอุปกรณ์สำหรับดูดและจัดเก็บฝุ่นไว้ในสถานที่ ให้ตรวจสอบว่าได้เชื่อมต่อและใช้งานอุปกรณ์นั้นอย่างเหมาะสม** การใช้เครื่องดูดและจัดเก็บฝุ่นจะช่วยลดอันตรายที่เกิดจากฝุ่นผงได้
- ## การใช้และดูแลเครื่องมือไฟฟ้า
18. **อย่าฝืนใช้เครื่องมือไฟฟ้า ใช้เครื่องมือไฟฟ้าที่เหมาะสมกับการใช้งานของคุณ** เครื่องมือไฟฟ้าที่เหมาะสมจะทำให้งานที่มีประสิทธิภาพและปลอดภัยกว่าความซัดความสามารของเครื่องที่ได้รับการออกแบบมา
 19. **อย่าใช้เครื่องมือไฟฟ้า หากสวิตช์ไม่สามารถเปิดปิดได้** เครื่องมือไฟฟ้าที่ควบคุมด้วยสวิตช์ที่ไม่ได้เป็นสิ่งอันตรายและต้องได้รับการซ่อมแซม
 20. **ถอดปลั๊กจากแหล่งจ่ายไฟ และ/หรือชุดแบตเตอรี่ออกจากเครื่องมือไฟฟ้าก่อนทำการปรับแต่ง เปลี่ยนอุปกรณ์เสริม หรือจัดเก็บเครื่องมือไฟฟ้า** วิธีการป้องกันด้านความปลอดภัยดังกล่าวจะช่วยลดความเสี่ยงของการเปิดใช้งานเครื่องมือไฟฟ้าอย่างไม่ตั้งใจ

21. จัดเก็บเครื่องมือไฟฟ้าที่ไม่ได้ใช้งานให้ห่างจากมือเด็ก และอย่าอนุญาตให้บุคคลที่ไม่คุ้นเคยกับเครื่องมือไฟฟ้าหรือคำแนะนำเหล่านี้ใช้งานเครื่องมือไฟฟ้า เครื่องมือไฟฟ้าจะเป็นอันตรายเมื่ออยู่ในมือของผู้ที่ไม่ได้รับการฝึกอบรม
22. การดูแลรักษาเครื่องมือไฟฟ้า ตรวจสอบการประกอบที่ไม่ถูกต้องหรือการเชื่อมต่อของชิ้นส่วนที่เคลื่อนที่ การแตกหักของชิ้นส่วน หรือสภาพอื่น ๆ ที่อาจส่งผลกระทบต่อการทำงานของเครื่องมือไฟฟ้า หากมีความเสียหาย ให้นำเครื่องมือไฟฟ้าไปซ่อมแซมก่อนการใช้งาน อุบัติเหตุจำนวนมากเกิดจากการดูแลรักษาเครื่องมือไฟฟ้าอย่างไม่ถูกต้อง
23. ลับความคมและทำความสะอาดเครื่องมือการตัดอยู่เสมอ เครื่องมือการตัดที่มีการดูแลอย่างถูกต้องและมีขอบการตัดคมมักจะไม่มีปัญหาตัดชิ้นน้อยและควบคุมได้ง่ายกว่า
24. ใช้เครื่องมือไฟฟ้า อุปกรณ์เสริม และวัสดุสิ้นเปลือง ชลข ตามคำแนะนำดังกล่าว พิจารณาสภาพการทำงานและงานที่จะลงมือทำ การใช้เครื่องมือไฟฟ้าเพื่อทำงานอื่นนอกเหนือจากที่กำหนดไว้อาจทำให้เกิดอันตราย

การบริการ

25. นำเครื่องมือไฟฟ้าเข้ารับการบริการจากช่างซ่อมที่ผ่านการรับรอง โดยใช้อะไหล่แบบเดียวกันเท่านั้น เพราะจะทำให้การใช้เครื่องมือไฟฟ้ามีความปลอดภัย
26. ปฏิบัติตามคำแนะนำในการหล่อลื่นและการเปลี่ยนอุปกรณ์เสริม
27. ดูแลมือจับให้แห้ง สะอาด และไม่มันน้ำมันและจาระบีอื่น

GE019-3

คำเตือนด้านความปลอดภัยของเลื่อยฉลุไฟฟ้า

1. ถือเครื่องมือที่ด้ามจับพร้อมน้ำหนักขึ้น เนื่องจากเครื่องมือตัดอาจจะสัมผัสกับสายไฟของตัวเองได้ การตัดสายไฟ “ที่มีกระแสไฟ” จะทำให้ส่วนที่เป็นโลหะเปลือยของเครื่องมือ “มีกระแสไฟ” และช็อตผู้ใช้งาน
2. ใช้ปากกาจับหรือวิธีการปฏิบัติอื่น ๆ เพื่อยึดและรองรับชิ้นงานไว้บนพื้นที่ที่มั่นคง การใช้มือจับชิ้นงานหรือยึดชิ้นงานไว้กับร่างกายจะทำให้เกิดความไม่มั่นคงและสูญเสียการควบคุมได้
3. สวมเครื่องป้องกันการได้ยินในระหว่างการใช้งานนานๆ
4. จับคอกกลูด้วยความระมัดระวัง
5. ตรวจสอบคอกกลูอย่างระมัดระวังเพื่อหารอยแตกหรือความเสียหายก่อนที่จะใช้งาน เปลี่ยนคอกกลูที่ร้าวหรือเสียหายทันที
6. หลีกเลี่ยงการตัดตะปู ตรวจสอบและถอนตะปูทั้งหมดออกจากชิ้นงานก่อนการทำงาน
7. จับเครื่องมือให้แน่น
8. ระวังอย่าให้มือสัมผัสกับชิ้นส่วนที่หมุนได้
9. ตรวจสอบให้แน่ใจว่าคอกกลูนั้นไม่ได้สัมผัสกับชิ้นงานก่อนที่จะเปิดสวิตช์

10. ก่อนที่จะใช้เครื่องมือบนชิ้นงานจริง ปล่อยให้เครื่องมือทำงานเปล่าๆ สักครู่ ตรวจสอบการสั่นไหวหรือการส่ายไปมาที่สามารถบ่งบอกถึงการสไลด์ที่ไม่ถูกต้อง
11. ระวังทิศทางการหมุนของคอกกลูและทิศทางการบิน
12. อย่าปล่อยให้เครื่องมือทำงานค้างไว้ ใช้งานเครื่องมือในขณะที่ยึดอยู่เท่านั้น
13. ปิดสวิตช์และรอจนกว่าคอกกลูหยุดนิ่งสนิทและเอาเครื่องมือออกจากชิ้นงานก่อนทำการปรับแต่งใดๆ ทุกครั้ง
14. ห้ามสัมผัสกับคอกกลูทันทีที่ทำงานเสร็จ เนื่องจากคอกกลูหรือชิ้นงานอาจมีความร้อนสูงและอาจผิวหนังของคุณได้
15. อย่าให้ฐานเครื่องมือและชิ้นเนอร์ น้ำมันเชื้อเพลิง น้ำมัน หรือสิ่งที่มีลักษณะอื่น ๆ สิ่งเหล่านี้อาจทำให้ฐานเครื่องมือแตกได้
16. ให้ความสำคัญการเลือกมีดตัดที่มีเส้นผ่าศูนย์กลางก้านที่เหมาะสมกับความเร็วของเครื่องมือ
17. วัสดุบางอย่างอาจมีสารเคมีที่เป็นพิษ ระวังอย่าสูดดมฝุ่นหรือให้สารเหล่านั้นสัมผัสกับร่างกาย ปฏิบัติตามข้อมูลด้านความปลอดภัยของผู้ผลิตวัสดุ
18. ใช้หน้ากากกันฝุ่นควันพิษที่ถูกต้องกับวัสดุและการใช้งานที่คุณกำลังทำงานอยู่ในทุกๆ ครั้ง

ปฏิบัติตามคำแนะนำเหล่านี้

⚠ คำเตือน:

อย่าให้ความไม่ระมัดระวังหรือความคุ้นเคยกับผลิตภัณฑ์ (จากการใช้งานซ้ำหลายครั้ง) อยู่เหนือการปฏิบัติตามกฎเกณฑ์ด้านความปลอดภัยในการใช้งานผลิตภัณฑ์อย่างเคร่งครัด การใช้งานอย่างไม่เหมาะสมหรือการไม่ปฏิบัติตามกฎเกณฑ์ด้านความปลอดภัยในคู่มือใช้งานนี้อาจก่อให้เกิดการบาดเจ็บอย่างรุนแรง

คำอธิบายการทำงาน

⚠ ข้อควรระวัง:

- ตรวจสอบให้แน่ใจว่าสวิตช์เครื่องมืออยู่ในตำแหน่งปิดเครื่อง และถอดปลั๊กเครื่องมือออกก่อนปรับตั้งหรือตรวจสอบการทำงานของเครื่องมือ

การปรับความลึกของการตัด (ภาพที่ 1)

วางเครื่องมือลงบนพื้นราบ คลายสกรูกันคลายแล้วลดตัวเครื่องลงจนกระทั่งคอกกลูแตะลงบนพื้นผิว ชิ้นสกรูกันคลายให้แน่นขึ้นเล็กน้อย วางเครื่องมือไว้ด้านข้างแล้วคลายสกรูกันคลาย เคลื่อนฐานเครื่องมือจนได้ความลึกการตัดที่ต้องการ สามารถตรวจสอบความลึกการตัดได้โดยใช้สเกลบนตัวเครื่อง (เลื่อนครั้งละ 1 มม.) แล้วขันสกรูกันคลายให้แน่น

การทำงานของสวิตช์ (ภาพที่ 2)

⚠️ ข้อควรระวัง:

- ก่อนจะเสียบปลั๊กเครื่องมือ ตรวจสอบให้แน่ใจว่าสวิตช์ของเครื่องมือปิด

เปิดใช้เครื่องมือโดยเลื่อนก้านสวิตช์ไปที่ตำแหน่ง I หยุดเครื่องมือโดยเลื่อนก้านสวิตช์ไปที่ตำแหน่ง O

การประกอบ

⚠️ ข้อควรระวัง:

- ตรวจสอบให้แน่ใจว่าสวิตช์เครื่องมืออยู่ในตำแหน่งปิดเครื่อง และถอดปลั๊กเครื่องมือออกก่อนดำเนินงานใดๆ กับเครื่องมือ

การติดตั้งหรือถอดดอกฉลุ (ภาพที่ 3)

⚠️ ข้อควรระวัง:

- อย่าขันแหวนเกลียวหัวจับโดยไม่ได้ใส่ดอกฉลุ มิฉะนั้นกรวยหัวจับอาจเสียหายได้
- ใช้เฉพาะประแจที่ให้มากับเครื่องมือเท่านั้น

ใส่ดอกฉลุเข้าไปในหัวจับจนสุดและขันแหวนหัวจับให้แน่นโดยใช้ประแจสองตัว

เมื่อต้องการถอดดอกฉลุ ให้ปฏิบัติย้อนขั้นตอนการติดตั้ง

การใช้งาน

ตั้งฐานเครื่องมือบนชิ้นงานที่จะตัดโดยไม่ให้ดอกฉลุสัมผัสชิ้นงาน จากนั้นเปิดสวิตช์เครื่องมือ และรอจนกระทั่งดอกฉลุทำงานด้วยความเร็วเต็มที เลื่อนเครื่องมือไปด้านหน้าบนผิวหน้าชิ้นงาน ให้ฐานเครื่องมือเป็นระนาบเดียวกับผิวหน้าชิ้นงานและเคลื่อนที่ไปอย่างช้าๆ จนกว่าการตัดจะเสร็จสิ้น

เมื่อทำการตัดมุม ผิวหน้าชิ้นงานควรอยู่ทางด้านซ้ายของทิศทางการป้อนดอกฉลุ (ภาพที่ 4)

หมายเหตุ:

- การเลื่อนเครื่องมือไปข้างหน้าเร็วเกินไปอาจส่งผลให้ได้คุณภาพการตัดไม่ดี หรือทำให้ความเสียหายกับดอกฉลุหรือมอเตอร์ได้ การเลื่อนเครื่องมือไปข้างหน้าช้าเกินไปอาจทำรอยไหม้และความเสียหายให้กับรอยตัดได้ อัตราการป้อนที่เหมาะสมขึ้นอยู่กับขนาดดอกฉลุ ประเภทของชิ้นงานและความลึกในการตัด ก่อนที่จะเริ่มตัดชิ้นงานจริง ขอแนะนำให้ทำการทดสอบการตัดบนเศษไม้ก่อน การทำเช่นนี้จะแสดงให้เห็นอย่างชัดเจนว่ารอยตัดจะเป็นอย่างไรและช่วยให้คุณตรวจสอบขนาดได้

หมายเหตุ:

- เมื่อใช้ร่องเท้าฉลุ รางแนวตรง หรือแนวเหลี่ยม ตรวจสอบให้แน่ใจว่าได้ใส่รางไว้ทางด้านขวาของทิศทางการป้อน การทำเช่นนี้จะช่วยให้รางอยู่ในระนาบกับด้านข้างของชิ้นงาน (ภาพที่ 5)

⚠️ ข้อควรระวัง:

- เนื่องจากการตัดที่ลึกเกินไปจะทำให้มอเตอร์ทำงานโอเวอร์โหลดหรือทำการควบคุมเครื่องมือได้ยาก ความลึกในการตัดนั้นจึงไม่ควรมากกว่า 3 มม. ต่อแนวเมื่อทำงานเซาะร่อง เมื่อคุณต้องการจะเซาะร่องให้ลึกกว่า 3 มม. ให้ทำการตัดแนวเดิมหลายๆ ทีโดยให้เพิ่มการยื่นของดอกฉลุออกมาเรื่อยๆ ในแต่ละครั้ง

แนวแม่แบบ

แนวแม่แบบจะมีปลอกทะลุสำหรับให้ดอกฉลุวิ่งผ่าน ช่วยให้ใช้งานเครื่องฉลุกับแพทเทิร์นแม่แบบได้ (ภาพที่ 6)

ถอดตัวปิดเศษไม้ออก

คลายสกรูและถอดตัวป้องกันฐานออก วางแนวแม่แบบไว้บนฐาน และเปลี่ยนตัวป้องกันฐาน จากนั้นยึดตัวป้องกันฐานไว้ด้วยการขันสกรู (ภาพที่ 7)

ยึดแม่แบบเข้ากับชิ้นงาน วางเครื่องมือบนแนวแม่แบบและเลื่อนเครื่องมือที่มีตัวเลื่อนแนวแม่แบบไปตามด้านข้างของแม่แบบ (ภาพที่ 8)

หมายเหตุ:

- ชิ้นงานจะถูกตัดออกมาโดยมีขนาดที่แตกต่างจากแม่แบบเล็กน้อย เว้นระยะ (X) ระหว่างดอกฉลุและแนวแม่แบบด้านนอก ระยะ (X) สามารถคำนวณได้โดยใช้สมการต่อไปนี้:
ระยะ (X) = (เส้นผ่าศูนย์กลางทางด้านนอกของแนวแม่แบบ - เส้นผ่าศูนย์กลางดอกฉลุ) / 2

รางแนวตรง

รางแนวตรงใช้ได้กับการตัดแนวตรงเมื่อทำการขุดหรือเซาะร่อง (ภาพที่ 9)

ต่อแผ่นหน้าเข้ากับรางแนวตรงด้วยสลักเกลียว แหวนหยัก แหวนแบน และเป็นเกลียวปีก (ภาพที่ 10)

ถอดตัวปิดเศษไม้ออก

ต่อรางแนวตรงเข้ากับสกรูกันคลาย (A) คลายเป็นเกลียวปีกบนรางแนวตรงแล้วปรับระยะระหว่างดอกฉลุกับรางแนวตรง เมื่อได้ระยะที่ต้องการแล้ว ให้ขันเป็นเกลียวปีกให้แน่น (ภาพที่ 11)

เมื่อทำการตัด ให้เลื่อนเครื่องมือที่มีรางแนวตรงให้เป็นระนาบเดียวกับขอบของชิ้นงาน

การทำรูปกลม

สามารถทำรูปวงกลมได้โดยการประกอบรางแนวตรงและแผ่นหน้าตามที่แสดงในภาพ (ภาพที่ 12 และภาพที่ 13)

รัศมีต่ำสุดและสูงสุดของวงกลมที่จะตัด (ระยะระหว่างศูนย์กลางของวงกลมและศูนย์กลางของดอกฉลุ) มีดังนี้:

ต่ำสุด: 70 มม.

สูงสุด: 221 มม.

สำหรับการตัดวงกลมรัศมีระหว่าง 70 มม. และ 121 มม.

สำหรับการตัดวงกลมรัศมีระหว่าง 121 มม. และ 221 มม.

หมายเหตุ:

- วงกลมที่มีรัศมีระหว่าง 172 มม. และ 186 มม. จะไม่สามารถตัดได้โดยใช้รางแนวนี้

จัดรูศูนย์กลางในรางแนวตรงเข้ากับจุดศูนย์กลางของวงกลมที่จะตัด ตอกตะปูที่มีขนาดเส้นผ่าศูนย์กลางน้อยกว่า 6 มม. เข้าไปในรูศูนย์กลางเพื่อยึดรางแนวตรง หมุนเครื่องมือไปรอบตะปูตามเข็มนาฬิกา (ภาพที่ 14)

รางแนวเส้น

การเล็ม การตัดโค้งบนแผ่นไม้ประกอบสำหรับเฟอร์นิเจอร์และสิ่งทีคล้ายกันสามารถทำได้ง่ายด้วยการใช้รางแนวเส้น ลูกกลิ้งนำทางจะเลื่อนไปตามโค้งและทำให้แนวตัดออกมาสวยงาม (ภาพที่ 15) ติดตั้งที่ปิดเศษไม้ไว้ที่ร่องของฐาน จากนั้น ติดตั้งรางแนวเส้นและตัวยึดทรงบนฐานของเครื่องมือด้วยสกรูกันคลาย (A) คลายสกรูกันคลาย (B) แล้วปรับระยะระหว่างดอกสว่านกับรางแนวเส้นโดยการหมุนสกรูปรับ (1 มม. ต่อรอบ) เมื่อได้ระยะที่ต้องการ ให้ขันสกรูกันคลาย (B) ให้แน่นเพื่อยึดรางแนวเส้นไว้กับที่ (ภาพที่ 16) เมื่อทำการตัด ให้เลื่อนเครื่องมือที่มีลูกกลิ้งนำทางให้เป็นระนาบเดียวกับขอบของชิ้นงาน (ภาพที่ 17)

รองเท้าผล (อุปกรณ์เสริม)

คุณสามารถใช้รองเท้าผลเพื่อปรับระดับพื้นผิวของรางแนวเส้น เพื่อให้สามารถตัดขอบและลบมุมได้อย่างแม่นยำยิ่งขึ้น (ภาพที่ 18) ถอดรางแนวเส้นออกจากเครื่องมือ ติดตั้งรองเท้าผลออกจากฐานเครื่องมือด้วยสกรูปรับและสกรูกันคลาย (B) คลายสกรูกันคลาย (B) แล้วปรับระยะห่างระหว่างดอกผลและรองเท้าผลด้วยการปรับสกรู (รอบละ 1 มม.) เมื่อได้ระยะที่ต้องการ ให้ขันสกรูกันคลาย (B) ให้แน่นเพื่อยึดรองเท้าผลไว้กับที่ เมื่อทำการตัด ให้เลื่อนเครื่องมือในทิศทางตามลูกศรที่อยู่บนรองเท้าผล (ภาพที่ 19)

การบำรุงรักษา

⚠️ ข้อควรระวัง:

- ตรวจสอบให้แน่ใจว่าได้ปิดสวิตช์เครื่องมือและถอดปลั๊กออกก่อนทำการตรวจสอบหรือบำรุงรักษา
- อย่าใช้น้ำมันเชื้อเพลิง เบนซิน ทินเนอร์ แอลกอฮอล์ หรือวัสดุประเภทเดียวกัน เพราะอาจทำให้เครื่องมือมีสีซีดจาง ผิดรูปทรงหรือแตกหักได้

การเปลี่ยนแปลงคาร์บอน

ถอดแปรงคาร์บอนออกมาตรวจสอบเป็นประจำ เปลี่ยนแปรงคาร์บอนเมื่อสึกหรองถึงขีดจำกัด รักษาแปรงคาร์บอนให้สะอาด และอย่าให้แปรงคาร์บอนหลุดเข้าไปในที่ยึด ควรเปลี่ยนแปลงคาร์บอนทั้งสองแปรงพร้อมกัน ใช้แปรงคาร์บอนที่กำหนดเท่านั้น (ภาพที่ 20)

ใช้ไขควงเพื่อถอดฝาปิดที่ยึดแปรงออก นำแปรงคาร์บอนที่สึกหรองออกมา ใส่แปรงคาร์บอนใหม่เข้าไป และปิดฝาปิดที่ยึดแปรงให้แน่น (ภาพที่ 21)

เพื่อความปลอดภัยและความน่าเชื่อถือของผลิตภัณฑ์ ควรให้ศูนย์บริการที่ผ่านการรับรองจาก Makita เป็นผู้ดำเนินการซ่อมแซม บำรุงรักษา และทำการปรับตั้งอื่นๆ นอกจากนี้ให้ใช้อะไหล่ของแท้จาก Makita เสมอ

อุปกรณ์เสริม

⚠️ ข้อควรระวัง:

- ขอแนะนำให้ใช้เฉพาะอุปกรณ์เสริมหรืออุปกรณ์ต่อพ่วงเหล่านี้กับเครื่องมือ Makita ที่ระบุในคู่มือ การใช้อุปกรณ์เสริมหรืออุปกรณ์ต่อพ่วงอื่นๆ อาจมีความเสี่ยงที่จะได้รับบาดเจ็บ ใช้อุปกรณ์เสริมหรืออุปกรณ์ต่อพ่วงตามวัตถุประสงค์ที่ระบุไว้เท่านั้น

หากคุณต้องการทราบรายละเอียดเกี่ยวกับอุปกรณ์เสริมเหล่านี้ โปรดสอบถามศูนย์บริการ Makita ใกล้บ้านคุณ

- การติดตั้งรางแนวตรง
- การติดตั้งรางแนวเส้น
- แนวแม่แบบ
- กรวยหัวจับ 6 มม.
- ประแจ 10
- ประแจ 17
- การติดตั้งฐานแนวเส้น
- รองเท้าผล

ดอกเจาะร่อง

ดอกตรง (ภาพที่ 22)

มม.

	D	A	L1	L2
20	6	20	50	15
20E	1/4"			
8	6	8	50	18
8E	1/4"			
6	6	6	50	18
6E	1/4"			

006485

ดอกร่องตัว "U" (ภาพที่ 23)

มม.

	D	A	L1	L2	R
6	6	6	60	28	3
6E	1/4"				

006486

คอกร่องตัว "V" (ภาพที่ 24)

ม.ม.

D	A	L1	L2	θ
1/4"	20	50	15	90°

006454

คอกฉลุหัวส่วาระดับ (ภาพที่ 25)

ม.ม.

	D	A	L1	L2	L3
6	6	6	60	18	28
6E	1/4"				

006487

คอกฉลุหัวส่วาระดับคัมเบิ้ล (ภาพที่ 26)

ม.ม.

	D	A	L1	L2	L3	L4
6	6	6	70	40	12	14
6E	1/4"					

006488

คอกกลมมุม (ภาพที่ 27)

ม.ม.

	D	A1	A2	L1	L2	L3	R
8R	6	25	9	48	13	5	8
8RE	1/4"						
4R	6	20	8	45	10	4	4
4RE	1/4"						

006489

คอกชุด (ภาพที่ 28)

ม.ม.

D	A	L1	L2	L3	θ
6	23	46	11	6	30°
6	20	50	13	5	45°
6	20	49	14	2	60°

006462

คอกเว้า (ภาพที่ 29)

ม.ม.

D	A	L1	L2	R
6	20	43	8	4
6	25	48	13	8

006464

คอกฉลุเม็ดบอลเบริง (ภาพที่ 30)

ม.ม.

D	A	L1	L2
6	10	50	20
1/4"			

006465

คอกกลมมุมเม็ดบอลเบริง (ภาพที่ 31)

ม.ม.

D	A1	A2	L1	L2	L3	R
6	15	8	37	7	3.5	3
6	21	8	40	10	3.5	6
1/4"	21	8	40	10	3.5	6

006466

คอกชุดเม็ดบอลเบริง (ภาพที่ 32)

ม.ม.

D	A1	A2	L1	L2	θ
6	26	8	42	12	45°
1/4"					
6	20	8	41	11	60°

006467

คอกเว้าออกเม็ดบอลเบริง (ภาพที่ 33)

ม.ม.

D	A1	A2	A3	L1	L2	L3	R
6	20	12	8	40	10	5.5	4
6	26	12	8	42	12	4.5	7

006468

คอกเว้าเม็ดบอลเบริง (ภาพที่ 34)

ม.ม.

D	A1	A2	A3	A4	L1	L2	L3	R
6	20	18	12	8	40	10	5.5	3
6	26	22	12	8	42	12	5	5

006469

คอกโค้งโรมันเม็ดบอลเบริง (ภาพที่ 35)

ม.ม.

D	A1	A2	L1	L2	L3	R1	R2
6	20	8	40	10	4.5	2.5	4.5
6	26	8	42	12	4.5	3	6

006470

หมายเหตุ:

- อุปกรณ์บางรายการอาจจะรวมอยู่ในชุดอุปกรณ์พื้นฐานของผลิตภัณฑ์ ซึ่งอาจแตกต่างกันไปในแต่ละประเทศ

Makita Corporation

3-11-8, Sumiyoshi-cho,
Anjo, Aichi 446-8502 Japan

www.makita.com

883305B378

TRD