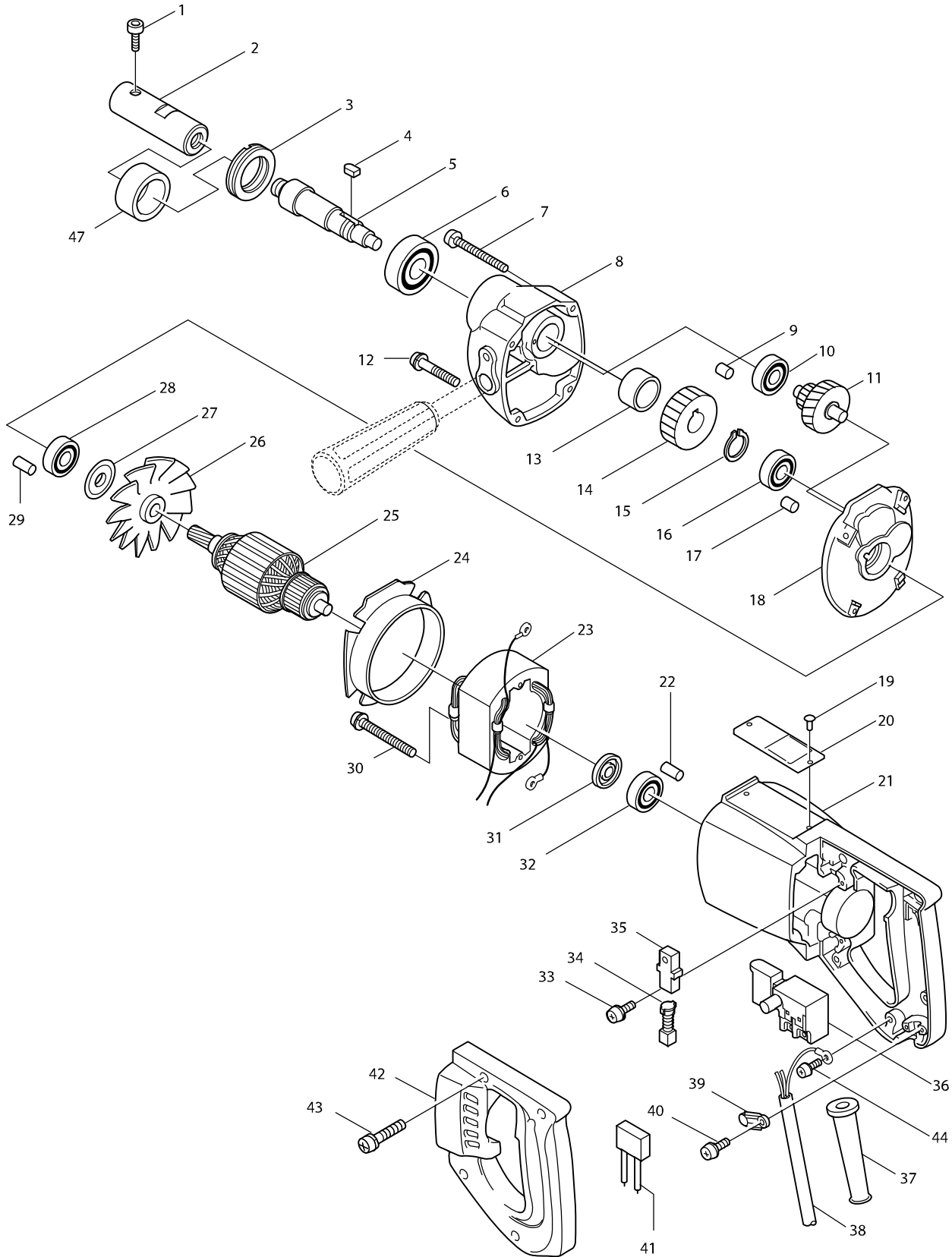


Model No. UT1301 POWER MIXER 130MM



Model No. UT1301 POWER MIXER 130MM

Item	Parts No.	Description	I/C	Qty	N/O	Opt. 1	Opt. 2	Note
001-1	251996-0	H.S.SET SCREW(CUP POINT)M8X8		1				
002	321084-8	SHAFT HOLDER		1				
003	285806-9	BEARING RETAINER 19-36		1				
004	254211-1	KEY 5		1				
005	325547-6	SPINDLE		1				
006	211206-7	BALL BEARING 6202LLB		1				
007	911261-6	PAN HEAD SCREW M5X40		2				
008-1	156975-2	GEAR HOUSING		1				
D10		INC. 9						
009	263002-9	RUBBER PIN 4		1				
010	211031-6	BALL BEARING 608LLB		1				
011	226012-7	GEAR COMPLETE 13-41		1				
012	911251-9	PAN HEAD SCREW M5X30		2				
013	257018-4	RING 15		1				
014	221019-8	SPUR GEAR 38		1				
015	961054-1	RETAINING RING S-14		1				
016	211031-6	BALL BEARING 608LLB		1				
017	263002-9	RUBBER PIN 4		1				
018	156436-2	GEAR HOUSING COVER		1				
C10	214001-4	PLANE BEARING 8		1				
D10		INC. 17,29						
019	953106-2	RIVET 0-5		2				
020	854177-1	NAME PLATE UT1301		1				
021	156977-8	MOTOR HOUSING		1	*			
D10		INC. 22			*			
021-1	159234-3	MOTOR HOUSING	S	1				
D10		INC. 22						
022	263002-9	RUBBER PIN 4		1				
023D_	522459-6	FIELD ASS'Y 240V		1	*			
C10	654038-3	INSULATED TERMINAL FT1.25-M4		2	*			
023D1	522459-6	FIELD ASS'Y 240V	<	1				
C10	654038-3	INSULATED TERMINAL FT1.25-M4		2	*			
C11	654038-3	INSULATED TERMINAL FT1.25-M4	O	2	*			
C12	654038-3	INSULATED TERMINAL FT1.25-M4	O	2	*			
C13	654038-3	INSULATED TERMINAL FT1.25-M4	O	2				
024	341438-3	BAFFLE PLATE		1				
025D_	512654-6	ARMATURE ASS'Y 240V		1				
D10		INC. 26-28,31,32						
026-1	241518-4	FAN 68		1				
027	213002-9	DUST SEAL 8		1				
028	211031-6	BALL BEARING 608LLB		1				
029	263002-9	RUBBER PIN 4		1				
030-2	911275-5	PAN HEAD SCREW M5X50		2				
031	213002-9	DUST SEAL 8		1				
032	211031-6	BALL BEARING 608LLB		1				
033	911114-9	PAN HEAD SCREW M4X10		2				
034-1	181410-1	CARBON BRUSH CB-106		1				
035-1	643605-9	BRUSH HOLDER		2				

