

**Slide Switch Type**



|   | <b>GA021G</b> (NEW)                    | <b>GA022G</b> (NEW)                    | <b>GA023G</b> (NEW)                    |
|---|--|--|--|
| Wheel Diameter  | 100 mm (4")                            | 115 mm (4-1/2")                        | 125 mm (5")                            |
| Hole Diameter   | 16 mm (5/8")                           | 22.23 mm (7/8")                        | 22.23 mm (7/8")                        |
| No Load Speed (RPM)                                   | 3,000 - 8,500                          | 3,000 - 8,500                          | 3,000 - 8,500                          |
| Vibration Level Surface Grinding w/ Normal Side Grip: | 5.0 m/s <sup>2</sup>                   | 5.5 m/s <sup>2</sup>                   | 6.5 m/s <sup>2</sup>                   |
| Disc Sanding w/ Normal Side Grip:                     | 2.5 m/s <sup>2</sup> or less           | 2.5 m/s <sup>2</sup> or less           | 2.5 m/s <sup>2</sup>                   |
| Sound Pressure Level / Sound Power Level              | 81 dB(A) / 92 dB(A)                    | 81 dB(A) / 92 dB(A)                    | 81 dB(A) / 92 dB(A)                    |
| Dimensions (L x W x H) with/BL4025:                   | 413x117x150 mm (16-1/4"x4-5/8"x5-7/8") | 413x130x156 mm (16-1/4"x5-1/8"x6-1/8") | 413x140x156 mm (16-1/4"x5-1/2"x6-1/8") |
| with/BL4040:  | 425x117x162 mm (16-3/4"x4-5/8"x6-3/8") | 425x130x168 mm (16-3/4"x5-1/8"x6-5/8") | 425x140x168 mm (16-3/4"x5-1/2"x6-5/8") |
| Net weight  | 2.8 - 3.4 kg (6.2 - 7.5 lbs.)          | 3.0 - 3.6 kg (6.6 - 7.9 lbs.)          | 3.0 - 4.4 kg (6.6 - 9.7 lbs.)          |

Variable Speed Brake Soft Start Dust Collection Carrying Case

Standard equipment : Grinding Wheel, Toolless Wheel Cover, Side Grip, Lock Nut Wrench, Battery, Charger

**Paddle Switch Type**



|   | <b>GA027G</b> (NEW)                    | <b>GA028G</b> (NEW)                    | <b>GA029G</b> (NEW)                    |
|---|--|--|--|
| Wheel Diameter  | 100 mm (4")                            | 115 mm (4-1/2")                        | 125 mm (5")                            |
| Hole Diameter   | 16 mm (5/8")                           | 22.23 mm (7/8")                        | 22.23 mm (7/8")                        |
| No Load Speed (RPM)                                   | 3,000 - 8,500                          | 3,000 - 8,500                          | 3,000 - 8,500                          |
| Vibration Level Surface Grinding w/ Normal Side Grip: | 4.5 m/s <sup>2</sup>                   | 5.0 m/s <sup>2</sup>                   | 6.0 m/s <sup>2</sup>                   |
| Disc Sanding w/ Normal Side Grip:                     | 2.5 m/s <sup>2</sup> or less           | 2.5 m/s <sup>2</sup>                   | 3.0 m/s <sup>2</sup>                   |
| Sound Pressure Level / Sound Power Level              | 81 dB(A) / 92 dB(A)                    | 81 dB(A) / 92 dB(A)                    | 82 dB(A) / 93 dB(A)                    |
| Dimensions (L x W x H) with/BL4025:                   | 413x117x150 mm (16-1/4"x4-5/8"x5-7/8") | 413x130x156 mm (16-1/4"x5-1/8"x6-1/8") | 413x140x156 mm (16-1/4"x5-1/2"x6-1/8") |
| with/BL4040:  | 425x117x162 mm (16-3/4"x4-5/8"x6-3/8") | 425x130x168 mm (16-3/4"x5-1/8"x6-5/8") | 425x140x168 mm (16-3/4"x5-1/2"x6-5/8") |
| Net weight  | 2.9 - 3.4 kg (6.4 - 7.5 lbs.)          | 3.0 - 3.6 kg (6.6 - 7.9 lbs.)          | 3.0 - 4.5 kg (6.6 - 9.9 lbs.)          |

Variable Speed Brake Soft Start Dust Collection Carrying Case

Standard equipment : Grinding Wheel, Toolless Wheel Cover, Side Grip, Lock Nut Wrench, Battery, Charger

**Product Comparison List**

| Model No.  |            |            | No load speed (rpm) | Switch | AWS | BL motor | AFT | Brake | XPT | Anti-restart function |
|------------|------------|------------|---------------------|--------|-----|----------|-----|-------|-----|-----------------------|
| 100mm      | 115mm      | 125mm      |                     |        |     |          |     |       |     |                       |
| GA021G NEW | GA022G NEW | GA023G NEW | 3,000 - 8,500       | Slide  | •   | •        | •   | •     | •   | •                     |
| GA003G     | GA004G     | GA005G     | 8,500               | Slide  |     | •        | •   | •     | •   | •                     |
| GA027G NEW | GA028G NEW | GA029G NEW | 3,000 - 8,500       | Paddle | •   | •        | •   | •     | •   | •                     |
| GA011G     | GA012G     | GA013G     | 8,500               | Paddle |     | •        | •   | •     | •   | •                     |

The weight may differ depending on the attachment(s), including the battery cartridge. The lightest and heaviest combination, according to EPTA-Procedure 01/2014, are shown in the table. Items of standard equipment and specifications may vary by country or area.

**Makita Singapore Pte Ltd**  
7, Changi South Street 3, Singapore 486348  
Phone : +65-6546-8700 Fax : +65-6546-8711  
Email : msgproductteam@makita.com.sg  
Website : www.makita.com.sg  
Facebook : www.facebook.com/MakitaSG



MakitaSG



VISIT OUR WEBSITE

PRINTED IN SINGAPORE



**XGT**  
**40V Li-ion max**

**Delivers the same power as 1,000W corded grinders**



**AWS** **BL MOTOR** **(BRAKE)**  
**AFT** **XPT**  
GA021G, GA022G, GA023G, GA027G, GA028G, GA029G



**XGT**  
**40V** LI-ION  
**max**

## Switch on the tool



**Vacuum cleaner is activated**

**AWS**

Auto-start Wireless System

The wireless activation function enables clean and comfortable operation. By connecting a supported tool to the cleaner, you can run the cleaner automatically along with the switch operation of the tool.



about  
**40% UP**

**Cutting speed**  
Cutting depth: 20mm (concrete)

|                       |            |
|-----------------------|------------|
| <b>GA021G</b>         | <b>140</b> |
| 18V Predecessor Model | 100        |

Slow

Fast

**Work amount on a full battery charge\***  
Battery: BL4040

about **7m**  
Cutting depth: 20mm

\*1 The test results depend to a great extent on the test material etc.



**Variable speed control dial**  
(3,000 - 8,500 RPM)

Matches the speed to your application.



|   | No load speed (RPM) | Cutting / Rough grinding | Grinding / Finish grinding | Rust removal / Paint removal | Stainless steel polishing |
|---|---------------------|--------------------------|----------------------------|------------------------------|---------------------------|
| 1 | 3,000               |                          |                            |                              | ✓                         |
| 2 | 4,500               |                          |                            | ✓                            | ✓                         |
| 3 | 6,000               |                          | ✓                          | ✓                            | ✓                         |
| 4 | 7,500               |                          | ✓                          |                              |                           |
| 5 | 8,500               | ✓                        |                            |                              |                           |

## High durability

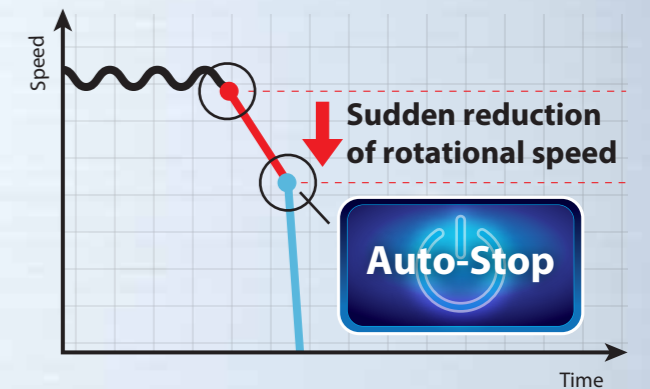
- Large ball bearing supports the motor.
- New switch design to reduce contact weariness.



**BL MOTOR**

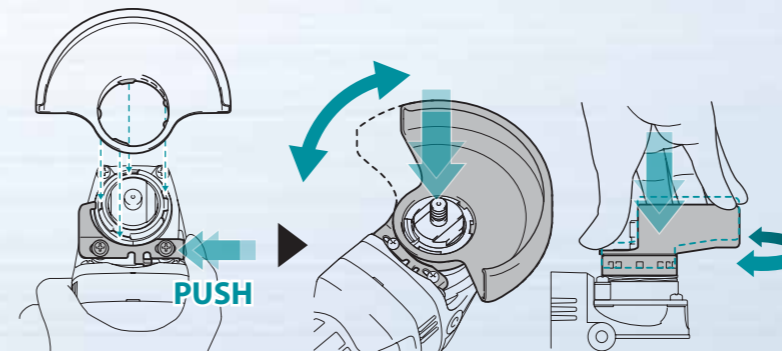
## AFT Active Feedback sensing Technology

Shuts down the tool to protect the user, if the rotation speed suddenly slows down.



## New toolless wheel cover (Slide lever style)

allows for fast and easy angle adjustment and installation / removal of wheel cover.



**Electric brake**  
maximizes productivity and increases safety for operator  
(GA021G/GA022G/GA023G/GA027G/GA028G/GA029G)



**Extreme Protection Technology**  
is engineered for improved dust and water resistance



## Accessories

### Dust collection wheel guard

for offset diamond wheel

for diamond wheel



| Part No. | Size  | Type                     |
|----------|-------|--------------------------|
| 191F81-2 | 125mm | for offset diamond wheel |
| 191G06-2 | 125mm | for diamond wheel        |



### Wheel cover

for cut-off wheel



| Part No. | Size  |
|----------|-------|
| 162555-4 | 100mm |
| 162556-2 | 115mm |
| 162557-0 | 125mm |

### Cutting Wheel Cover Attachment for cutting work

can be attached to the wheel cover for grinding with easy assembling.



| Part No. | Size  |
|----------|-------|
| 199709-0 | 115mm |
| 199710-5 | 125mm |



### Vibration proof grip set



Part No. 194514-0