



Cordless Slide Compound Miter Saw
LS002G 216 mm (8-1/2")

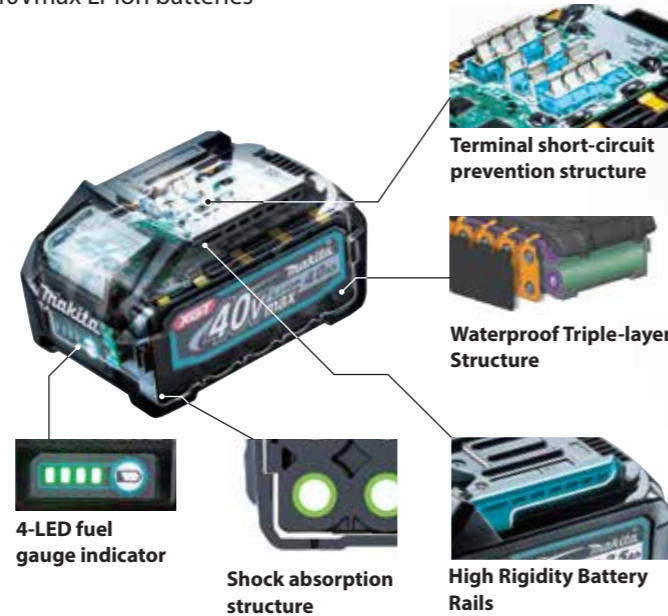
Optimum power supply system and Optimum charging system

The XGT range of tools and batteries come with a built-in program, providing digital communication between the battery and tool. Allowing not only for the battery to talk with tool but also the tool to talk to the battery. Battery technology and motor engineering that work together for optimum performance.



Built Tough

High durability specifications specially designed for 40Vmax Li-Ion batteries



Optimum charging system

Auto maintenance system with two cooling fans for providing more optimum fast charging

Tool ◀▶ Battery ◀▶ Battery Charger
Digital communication

Max. cutting capacity (height x width)

Cross Cut	Miter Cut (left & right)	Bevel Cut (left & right)	Compound Cut
 70 x 312mm (2-3/4" x 12-1/4")	 Miter 45° left / right 70 x 220mm (2-3/4" x 8-5/8")	 Bevel 45° left 50 x 312mm (2" x 12-1/4") Bevel 45° right 30 x 312mm (1-3/16" x 12-1/4")	 Bevel 45° left Miter 45° left / right 50 x 220mm (2" x 8-5/8") Bevel 45° right Miter 45° left / right 30 x 220mm (1-3/16" x 8-5/8")

Accessories

Horizontal vise

Part No. 122567-9



Charging Time Reference

	DC40RA (191E08-6)	DC40RC
BL4020 2.0Ah	22min	30min
BL4025 2.5Ah (191B36-3)	28min	38min
BL4040 4.0Ah (191B26-6)	45min	67min
BL4050F 5.0Ah	50min	85min

Cordless Slide Compound Miter Saw

LS002G 216 mm (8-1/2")

Brake	Blade Diameter 216 mm (8-1/2")
Constant Speed	Miter Angle 60° L / 60° R
Soft Start	Bevel Angle 48° L / 48° R
Bevel Cutting 45 LR	Max Cutting Capacity 90° Miter: 70 x 312 mm (2-3/4 x 12-1/4")
Dust Collection	No Load Speed (RPM) 4,800
Built-in Job Light	Sound Pressure Level 89 dB(A)
	Sound Power Level 100 dB(A)
	Dimensions (L x W x H) 702 x 551 x 557 mm (27-5/8 x 21-3/4 x 22")
	Net weight 16.4 - 17.0 kg (36.2 - 37.6 lbs.)

Standard Equipment: TCT Saw Blade, Dust Bag, Triangular Rule, Vertical Vise, Hex Wrench, Battery, Charger

The weight may differ depending on the attachment(s), including the battery cartridge. The lightest and heaviest combination, according to EPTA-Procedure 01/2014, are shown in the table. Items of standard equipment and specifications may vary by country or area.

Makita Singapore Pte Ltd

7, Changi South Street 3, Singapore 486348
Phone : +65-6546-8700 Fax : +65-6546-8711
Email : msgproductteam@makita.com.sg
Website : www.makita.com.sg
Facebook : www.facebook.com/MakitaSG



MakitaSG



VISIT OUR WEBSITE

PRINTED IN SINGAPORE



Precise cutting and user's comfort



LED lamp to cast an exact cutting line



40Vmax series movie

This movie was filmed in Japan.
Models and specs may vary by country.





Max. cutting capacity
(height x width)

70 x 312 mm

More efficient dust extraction



achieved by:

- Using the appreciated mechanism of "Dual dust collection ports"
- Redesigning the shape of the blade case to reduce the amount of sawdust flying towards operator

AWS Auto-start Wireless System

With optional Wireless unit, wireless connection can be made between the tool and AWS-compatible Makita vacuum cleaner for wirelessly enabling tool-triggered dust collection.



Switch on the tool

Vacuum cleaner is activated



AWS connects to power tool with Bluetooth



Switch to start up vacuum cleaner (via AWS)



convenient for cleaning after working with this tool

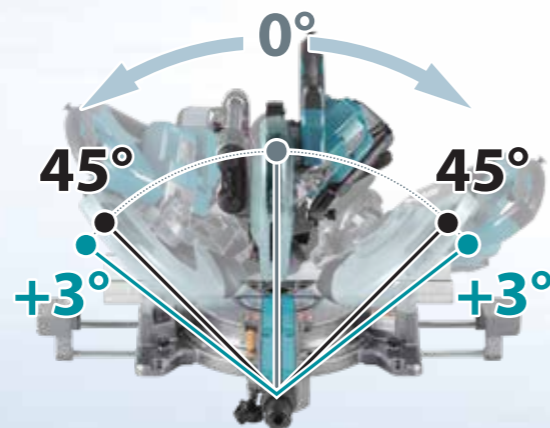


LED lamp to cast an exact cutting line



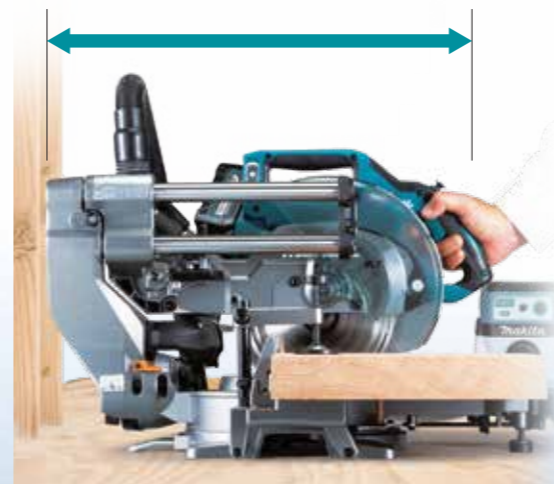
LED lamp casts a shadow of the saw blade onto the workpiece as an exact cutting line. By aligning the shadow with the ink line on the workpiece, you can make an exact cut.

Bevel range of 48° right and left



Pull the carriage back slightly and turn the releasing lever for 48° bevel angle in clockwise direction.

Rail-forward design



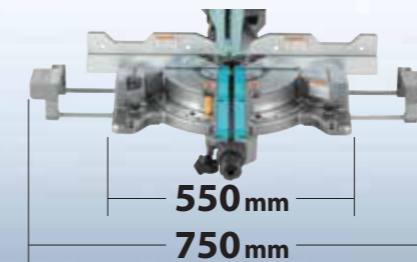
achieved by:

- Using the appreciated mechanism of "Dual dust collection ports", which is available in DLS111 series
- Redesigning the shape of the blade case to reduce the amount of sawdust flying towards operator

Extendable sub tables help stabilize long material cuts.



Width of the turn base



Easy locking and release of bevel angle

Bevel angle can be locked/released by turning the dial behind the front grip, which is located near operator.



Positive stop function can be disabled simply by depressing a lever.

